



# **DS-KD8003 Series Module Door Station**

**User Manual**

## Legal Information

### About this Document

- This Document includes instructions for using and managing the Product. Pictures, charts, images and all other information hereinafter are for description and explanation only.
- The information contained in the Document is subject to change, without notice, due to firmware updates or other reasons. Please find the latest version of the Document at the Hikvision website ( <https://www.hikvision.com> ). Unless otherwise agreed, Hangzhou Hikvision Digital Technology Co., Ltd. or its affiliates (hereinafter referred to as "Hikvision") makes no warranties, express or implied.
- Please use the Document with the guidance and assistance of professionals trained in supporting the Product.

### About this Product

This product can only enjoy the after-sales service support in the country or region where the purchase is made.

### Acknowledgment of Intellectual Property Rights

- Hikvision owns the copyrights and/or patents related to the technology embodied in the Products described in this Document, which may include licenses obtained from third parties.
- Any part of the Document, including text, pictures, graphics, etc., belongs to Hikvision. No part of this Document may be excerpted, copied, translated, or modified in whole or in part by any means without written permission.
- **HIKVISION** and other Hikvision's trademarks and logos are the properties of Hikvision in various jurisdictions.
- Other trademarks and logos mentioned are the properties of their respective owners.

### LEGAL DISCLAIMER

- TO THE MAXIMUM EXTENT PERMITTED BY APPLICABLE LAW, THIS DOCUMENT AND THE PRODUCT DESCRIBED, WITH ITS HARDWARE, SOFTWARE AND FIRMWARE, ARE PROVIDED "AS IS" AND "WITH ALL FAULTS AND ERRORS". HIKVISION MAKES NO WARRANTIES, EXPRESS OR IMPLIED, INCLUDING WITHOUT LIMITATION, MERCHANTABILITY, SATISFACTORY QUALITY, OR FITNESS FOR A PARTICULAR PURPOSE. THE USE OF THE PRODUCT BY YOU IS AT YOUR OWN RISK. IN NO EVENT WILL HIKVISION BE LIABLE TO YOU FOR ANY SPECIAL, CONSEQUENTIAL, INCIDENTAL, OR INDIRECT DAMAGES, INCLUDING, AMONG OTHERS, DAMAGES FOR LOSS OF BUSINESS PROFITS, BUSINESS INTERRUPTION, OR LOSS OF DATA, CORRUPTION OF SYSTEMS, OR LOSS OF DOCUMENTATION, WHETHER BASED ON BREACH OF CONTRACT, TORT (INCLUDING NEGLIGENCE), PRODUCT LIABILITY, OR OTHERWISE, IN CONNECTION WITH THE USE OF THE




PRODUCT, EVEN IF HIKVISION HAS BEEN ADVISED OF THE POSSIBILITY OF SUCH DAMAGES OR LOSS.

- YOU ACKNOWLEDGE THAT THE NATURE OF THE INTERNET PROVIDES FOR INHERENT SECURITY RISKS, AND HIKVISION SHALL NOT TAKE ANY RESPONSIBILITIES FOR ABNORMAL OPERATION, PRIVACY LEAKAGE OR OTHER DAMAGES RESULTING FROM CYBER-ATTACK, HACKER ATTACK, VIRUS INFECTION, OR OTHER INTERNET SECURITY RISKS; HOWEVER, HIKVISION WILL PROVIDE TIMELY TECHNICAL SUPPORT IF REQUIRED.
- YOU AGREE TO USE THIS PRODUCT IN COMPLIANCE WITH ALL APPLICABLE LAWS, AND YOU ARE SOLELY RESPONSIBLE FOR ENSURING THAT YOUR USE CONFORMS TO THE APPLICABLE LAW. ESPECIALLY, YOU ARE RESPONSIBLE, FOR USING THIS PRODUCT IN A MANNER THAT DOES NOT INFRINGE ON THE RIGHTS OF THIRD PARTIES, INCLUDING WITHOUT LIMITATION, RIGHTS OF PUBLICITY, INTELLECTUAL PROPERTY RIGHTS, OR DATA PROTECTION AND OTHER PRIVACY RIGHTS. YOU SHALL NOT USE THIS PRODUCT FOR ANY PROHIBITED END-USES, INCLUDING THE DEVELOPMENT OR PRODUCTION OF WEAPONS OF MASS DESTRUCTION, THE DEVELOPMENT OR PRODUCTION OF CHEMICAL OR BIOLOGICAL WEAPONS, ANY ACTIVITIES IN THE CONTEXT RELATED TO ANY NUCLEAR EXPLOSIVE OR UNSAFE NUCLEAR FUEL-CYCLE, OR IN SUPPORT OF HUMAN RIGHTS ABUSES.
- IN THE EVENT OF ANY CONFLICTS BETWEEN THIS DOCUMENT AND THE APPLICABLE LAW, THE LATTER PREVAILS.

**© Hangzhou Hikvision Digital Technology Co., Ltd. All rights reserved.**

## Symbol Conventions

The symbols that may be found in this document are defined as follows.

Symbol	Description
 <b>Danger</b>	Indicates a hazardous situation which, if not avoided, will or could result in death or serious injury.
 <b>Caution</b>	Indicates a potentially hazardous situation which, if not avoided, could result in equipment damage, data loss, performance degradation, or unexpected results.
 <b>Note</b>	Provides additional information to emphasize or supplement important points of the main text.

## Regulatory Information

### Industry Canada ICES-003 Compliance

This device meets the CAN ICES-3 (B)/NMB-3(B) standards requirements.

This device complies with Industry Canada licence-exempt RSS standard(s). Operation is subject to the following two conditions:

1. this device may not cause interference, and
2. this device must accept any interference, including interference that may cause undesired operation of the device.

Le présent appareil est conforme aux CNR d'Industrie Canada applicables aux appareils radioexempts de licence. L'exploitation est autorisée aux deux conditions suivantes :

1. l'appareil ne doit pas produire de brouillage, et
2. l'utilisateur de l'appareil doit accepter tout brouillage radioélectrique subi, même si le brouillage est susceptible d'en compromettre le fonctionnement.

Under Industry Canada regulations, this radio transmitter may only operate using an antenna of a type and maximum (or lesser) gain approved for the transmitter by Industry Canada. To reduce potential radio interference to other users, the antenna type and its gain should be so chosen that the equivalent isotropically radiated power (e.i.r.p.) is not more than that necessary for successful communication.

Conformément à la réglementation d'Industrie Canada, le présent émetteur radio peut fonctionner avec une antenne d'un type et d'un gain maximal (ou inférieur) approuvé pour l'émetteur par Industrie Canada. Dans le but de réduire les risques de brouillage radioélectrique à l'intention des autres utilisateurs, il faut choisir le type d'antenne et son gain de sorte que la puissance isotrope rayonnée équivalente (p.i.r.e.) ne dépasse pas l'intensité nécessaire à l'établissement d'une communication satisfaisante.

This equipment should be installed and operated with a minimum distance 20cm between the radiator and your body.

Cet équipement doit être installé et utilisé à une distance minimale de 20 cm entre le radiateur et votre corps.

# Contents

<b>Chapter 1 Appearance</b> .....	<b>1</b>
<b>Chapter 2 Configure Sub Module Address</b> .....	<b>8</b>
<b>Chapter 3 Terminal and Wiring</b> .....	<b>10</b>
3.1 Cable and Transmission Distance .....	10
3.2 Terminal Description .....	10
3.3 Module Door Station Wiring .....	16
3.3.1 Door Lock Wiring .....	16
3.3.2 Door Contact Wiring .....	17
3.3.3 Exit Button Wiring .....	18
<b>Chapter 4 Installation</b> .....	<b>19</b>
4.1 One-Module Installation .....	20
4.1.1 One-Module Surface Mounting .....	20
4.1.2 One-Module Flush Mounting .....	25
4.2 Two-Module Installation .....	31
4.2.1 Two-Module Surface Mounting .....	31
4.2.2 Two-Module Flush Mounting .....	36
4.3 Three-Module Installation .....	42
4.3.1 Three-Module Surface Installation .....	42
4.3.2 Three-Module Flush Mounting .....	49
4.4 More-Than-Three Module Installation .....	54
4.4.1 More-than-Three Module Surface Mounting .....	54
4.4.2 More-Than-Three Module Flush Mounting .....	64
<b>Chapter 5 Activation</b> .....	<b>73</b>
5.1 Activate via SADP .....	73
5.2 Activate via Web Browser .....	74
<b>Chapter 6 Operation via PC Web</b> .....	<b>76</b>

6.1 Login Web Browser .....	76
6.2 Forget Password .....	76
6.3 Overview .....	76
6.4 Person Management .....	78
6.5 Search Event .....	80
6.6 Device Management .....	81
6.7 Configuration .....	82
6.7.1 View Device Information via PC Web .....	82
6.7.2 Set Time .....	83
6.7.3 Set DST .....	83
6.7.4 Change Administrator's Password .....	84
6.7.5 Online Users .....	84
6.7.6 Set Secure Door Control Unit Parameters via PC Web .....	84
6.7.7 Set I/O Parameters .....	85
6.7.8 Elevator Control .....	85
6.7.9 View Device Arming/Disarming Information .....	87
6.7.10 Network Settings .....	87
6.7.11 Set Video and Audio Parameters .....	92
6.7.12 Adjust Display Settings .....	94
6.7.13 Schedule Settings .....	97
6.7.14 Event Settings .....	98
6.7.15 Access Control Settings .....	100
6.7.16 Video Intercom Settings .....	104
6.8 Maintenance and Security .....	108
6.8.1 Upgrade and Maintenance .....	108
6.8.2 Device Debugging .....	109
6.8.3 View Log via PC Web .....	110
6.8.4 Certificate Management .....	110

<b>Chapter 7 Local Operation .....</b>	<b>112</b>
7.1 Call Resident .....	112
7.2 Unlock Door .....	113

## Chapter 1 Appearance

### Main Unit

#### Main Unit (with Button)

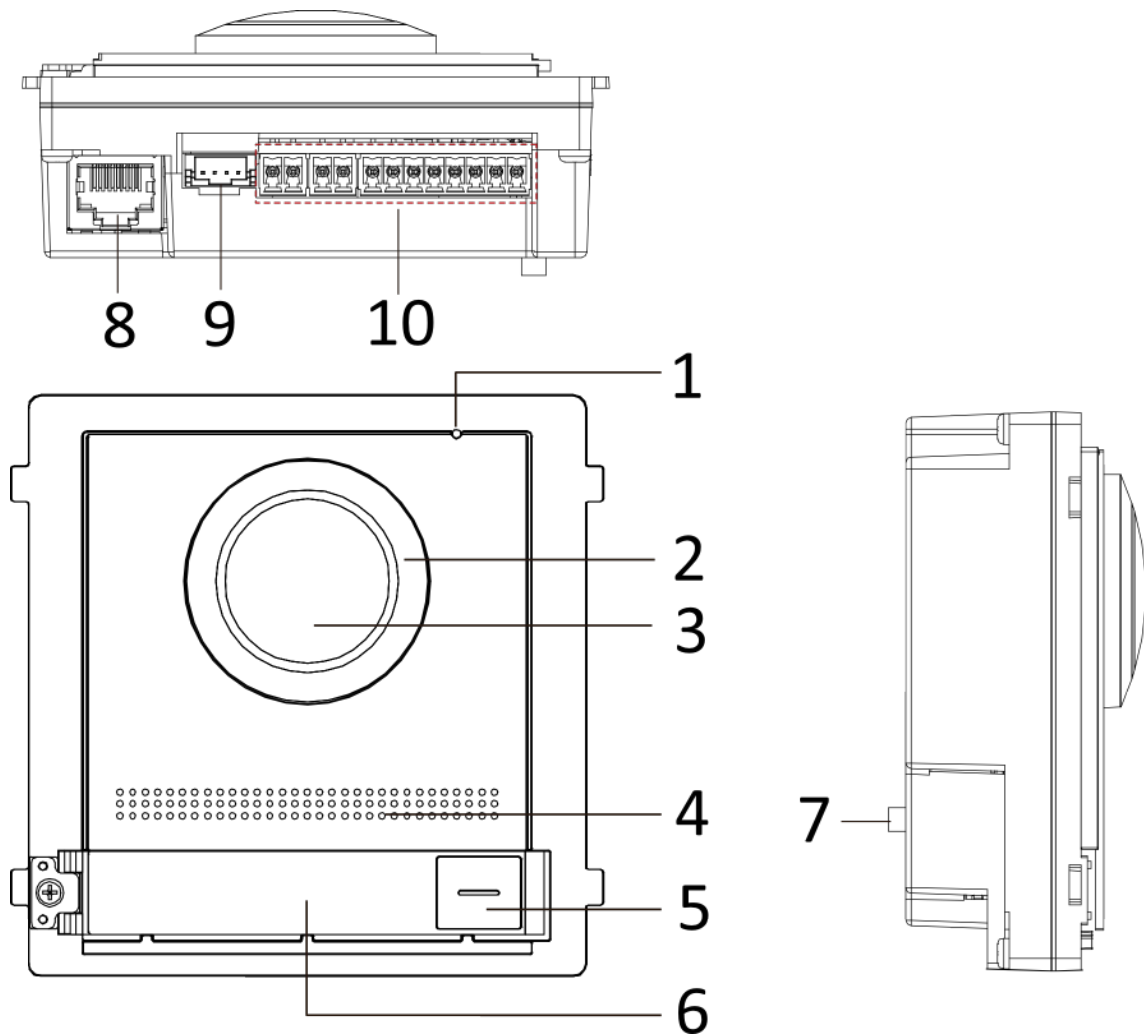


Figure 1-1 Main Unit (with Button) Appearance

Table 1-1 Appearance Description

No.	Description
1	Microphone
2	Low Illumination IR Supplement Light

No.	Description
3	Built-in Camera
4	Loudspeaker
5	Call Button
6	Nametag
7	TAMPER
8	Network Interface
9	Module-Connecting Interface (output)
10	Terminals

**Main Unit (without Button)**

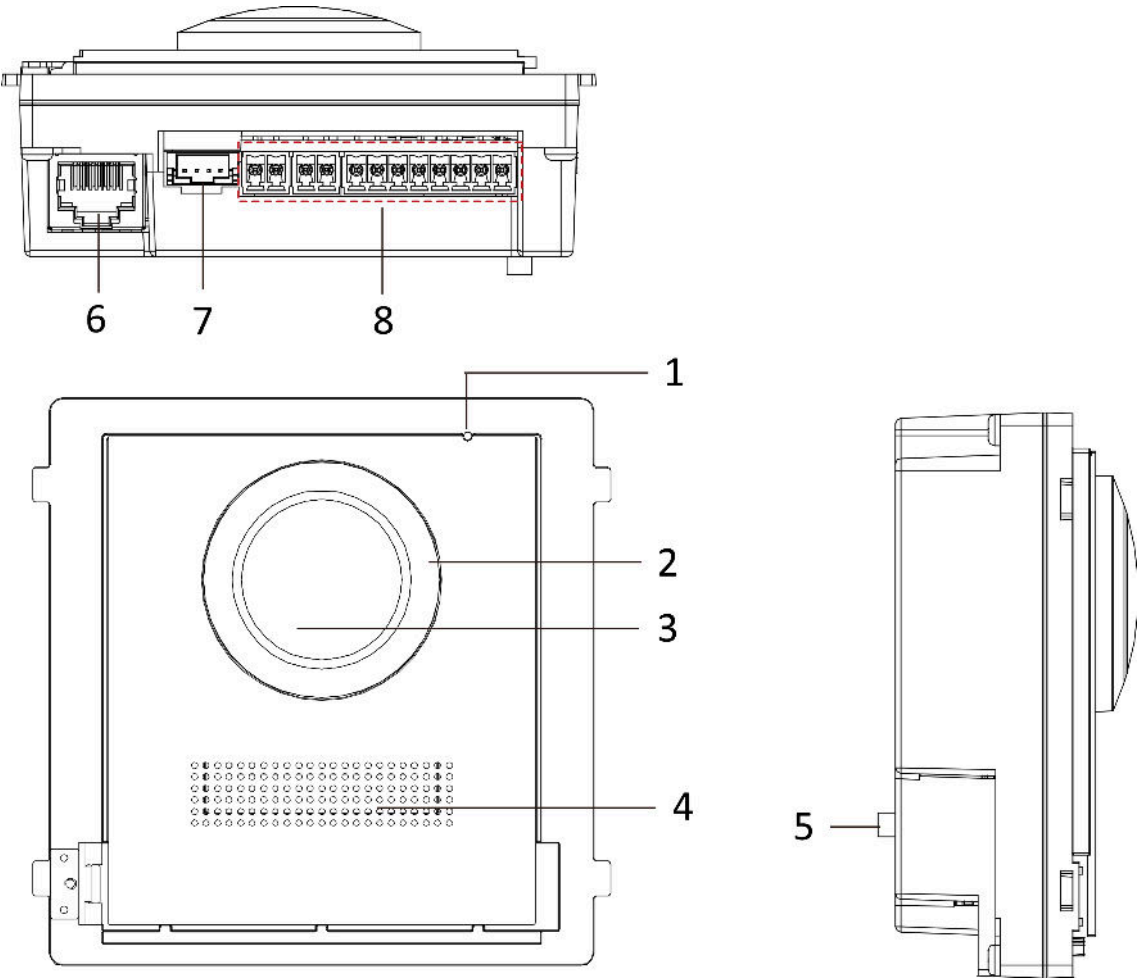


Figure 1-2 Main Unit (without Button) Appearance

Table 1-2 Appearance Description

No.	Description
1	Microphone
2	Low Illumination IR Supplement Light
3	Built-in Camera
4	Loudspeaker
5	TAMPER
6	Network Interface

No.	Description
7	Module-Connecting Interface (Output)
8	Terminals



**Note**

- Nametag area supports insert customized name card. The suggested card size is: 58 (L) x 11.7(W) mm.
  - The module connecting interface is used to connect other function module, such as nametag module, keypad module, card reader module, etc. All these modules are known as sub module.
- 

## **Two-Wire Main Unit**

### **Two-Wire Main Unit (with Button)**

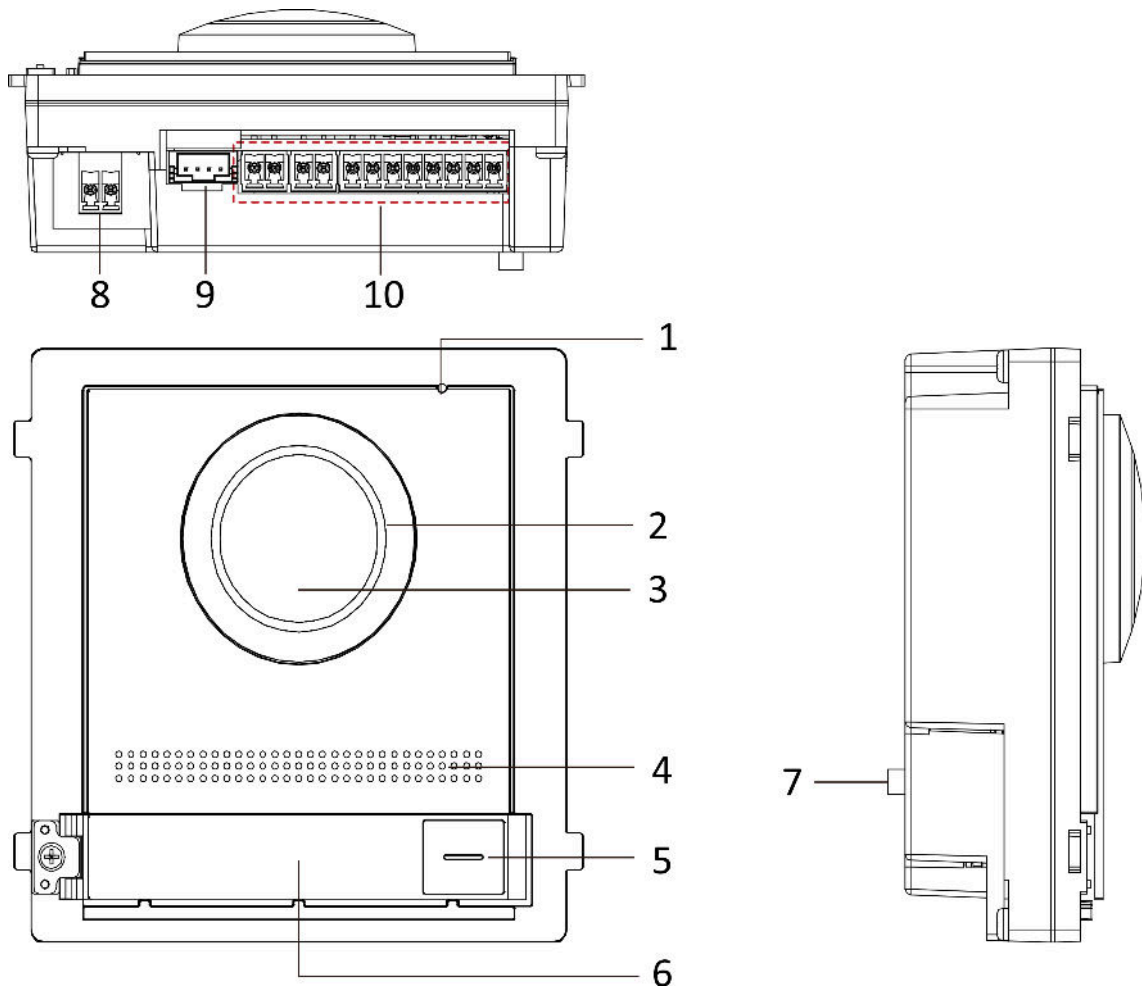


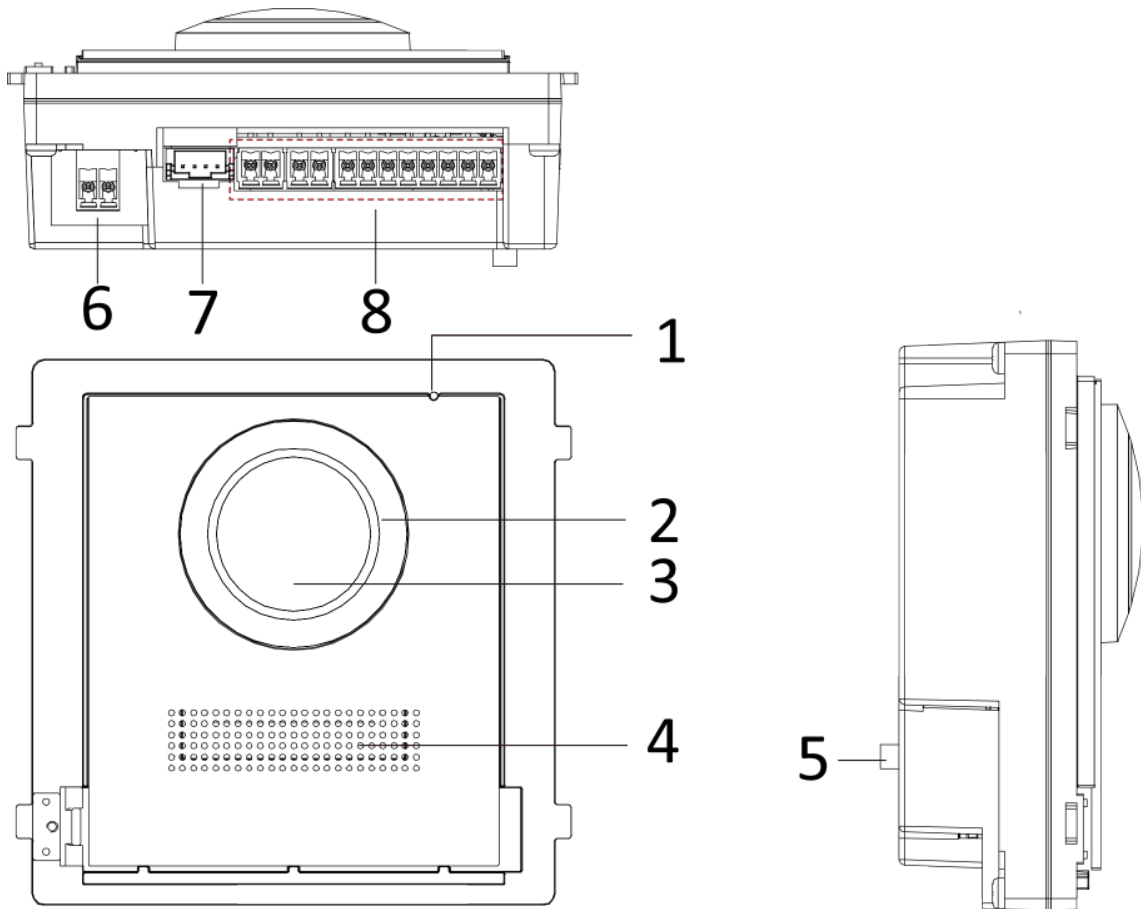
Figure 1-3 Two-Wire Main Unit (with Button) Appearance

Table 1-3 Appearance Description

No.	Description
1	Microphone
2	Low Illumination IR Supplement Light
3	Built-in Camera
4	Loudspeaker
5	Call Button
6	Nametag
7	TAMPER

No.	Description
8	Two-Wire Interface (24 VDC Power Input)
9	Module-Connecting Interface (output)
10	Terminals

**Two-Wire Main Unit (without Button)**



**Figure 1-4 Two-Wire Main Unit (without Button) Appearance**

**Table 1-4 Appearance Description**

No.	Description
1	Microphone
2	Low Illumination IR Supplement Light
3	Built-in Camera

No.	Description
4	Loudspeaker
5	TAMPER
6	Two-Wire Interface (24 VDC Power Input)
7	Module-Connecting Interface (output)
8	Terminals

**Note**

- Nametag area supports insert customized name card. The suggested card size is: 58 (L) x 11.7(W) mm.
  - The module connecting interface is used to connect other function module, such as nametag module, keypad module, card reader module, etc. All these modules are known as sub module.
-

## Chapter 2 Configure Sub Module Address

You need to set the sub module address via DIP switch before installation.

### Steps

1. Remove the rubber cover on the rear panel of the sub module to expose the DIP switch.

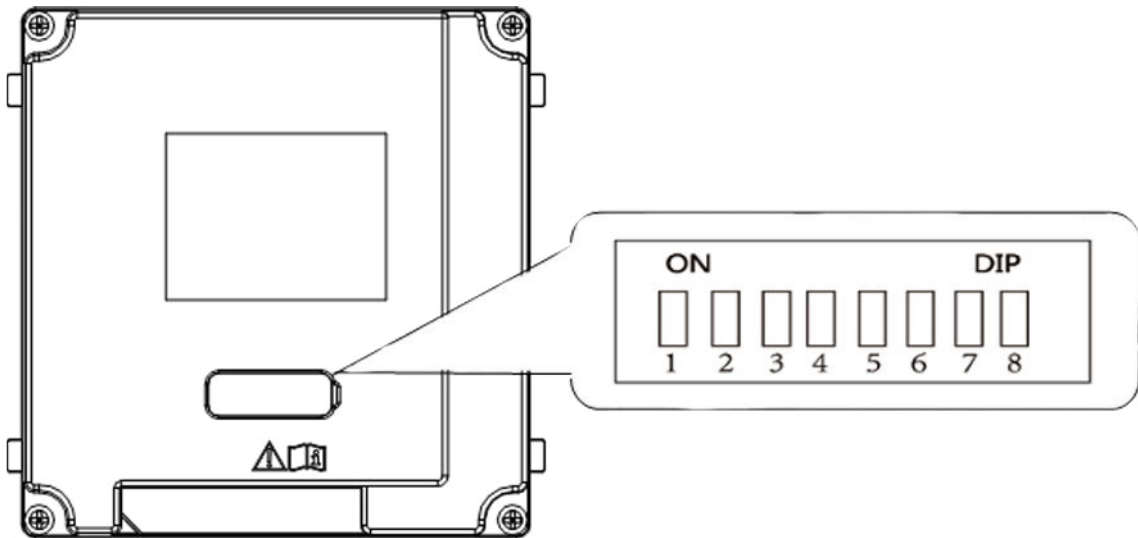


Figure 2-1 DIP Switch

2. Set the sub module address according to the DIP rules, and install the rubber cover back.

### Note

- DIP 1, 2, 3, 4 are used to coding the sub module address. DIP 5, 6, 7, 8 are reserved.
- Valid sub module address is from 1 to 8. The address should be unique for connecting to the main unit.

The sub module address and its corresponding switch status are displayed as below.

Sub Module Address	DIP 1	DIP 2	DIP 3	DIP 4	DIP 5	DIP 6	DIP 7	DIP 8
Module 1	ON	OFF	OFF	OFF	OFF	OFF	OFF	OFF
Module 2	OFF	ON	OFF	OFF	OFF	OFF	OFF	OFF
Module 3	ON	ON	OFF	OFF	OFF	OFF	OFF	OFF
Module 4	OFF	OFF	ON	OFF	OFF	OFF	OFF	OFF
Module 5	ON	OFF	ON	OFF	OFF	OFF	OFF	OFF

---

## DS-KD8003 Series Module Door Station User Manual

---

<b>Sub Module Address</b>	<b>DIP 1</b>	<b>DIP 2</b>	<b>DIP 3</b>	<b>DIP 4</b>	<b>DIP 5</b>	<b>DIP 6</b>	<b>DIP 7</b>	<b>DIP 8</b>
Module 6	OFF	ON	ON	OFF	OFF	OFF	OFF	OFF
Module 7	ON	ON	ON	OFF	OFF	OFF	OFF	OFF
Module 8	OFF	OFF	OFF	ON	OFF	OFF	OFF	OFF

---

## Chapter 3 Terminal and Wiring

### 3.1 Cable and Transmission Distance

Cable and transmission distance between devices should follow rules below.

**Table 3-1 Cable and Transmission Distance**

Cable Type	DS-KAD7060E Y to Door Station	DS-KAD7060E Y to DS-KAD7061E Y	DS-KAD7061E Y to DS-KAD7061E Y	DS-KAD7061E Y to Indoor Station	Indoor Station to Indoor Station	DS-KAD7060 to DS-KAD7060-S	Indoor Station to Door Station
UTP 5 0.2 mm <sub>2</sub> (Cat. 5) AWG24	60 m	60 m	60 m	60 m	100 m	60 m	140 m
0.28 mm <sub>2</sub> (TP) AWG23	60 m	40 m	40 m	40 m	80 m	40 m	160 m
0.5 mm <sub>2</sub> (Parallel) AWG20	60 m	60 m	60 m	60 m	100 m	60 m	180 m
1 mm <sub>2</sub> (Parallel) AWG17	60 m	60 m	60 m	60 m	100 m	60 m	260 m
1 mm <sub>2</sub> (TP) AWG17	60 m	40 m	40 m	40 m	80 m	40 m	260 m
1.5 mm <sub>2</sub> (Parallel) AWG15	60 m	40 m	60 m	60 m	100 m	60 m	260 m

### 3.2 Terminal Description

The power source should be qualified and meet limited power source or PS2 requirements according to IEC 60950-1 or IEC 62368-1 standard.

## Main Unit Terminals

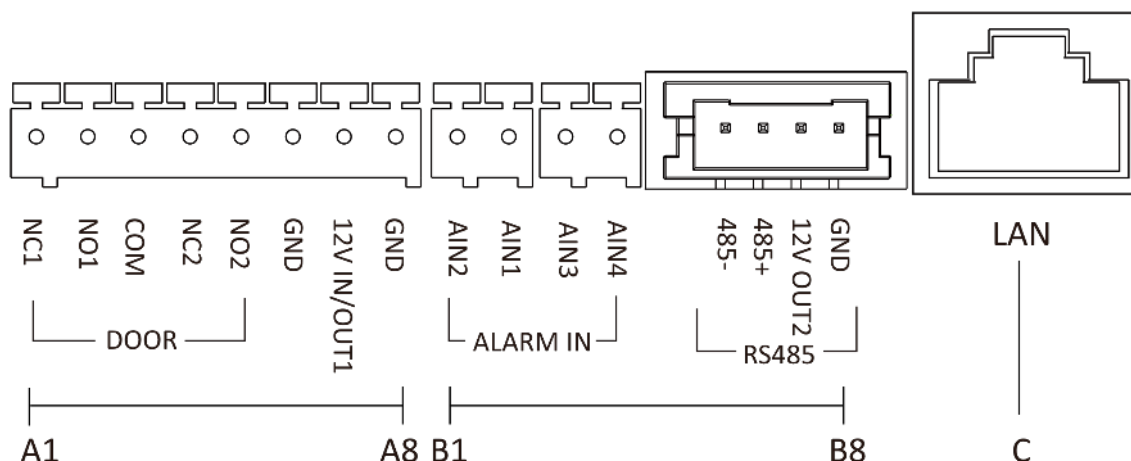


Figure 3-1 Main Unit Terminals

Table 3-2 Descriptions of Terminals and Interfaces

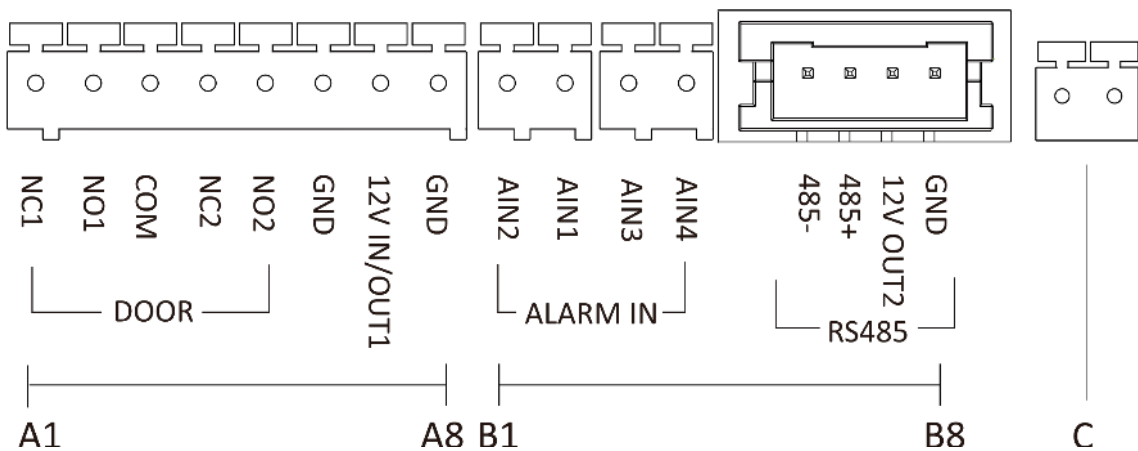
No.	Interface	Description
A1	NC1	Door Lock Relay Output (NC)
A2	NO1	Door Lock Relay Output (NO)
A3	COM	Common Interface
A4	NC2	Door Lock Relay Output (NC)
A5	NO2	Door Lock Relay Output (NO)
A6	GND	Grounding
A7	12 V IN/OUT1	<ul style="list-style-type: none"> <li>The power output is 12 V, 500mA.</li> <li>When the device is powered by PoE, the 12V IN/OUT interface can supply power to the lock.</li> </ul>
A8	GND	Grounding
B1	AIN2	For the access of Door Magnetic 2
B2	AIN1	For the access of Door Magnetic 1
B3	AIN3	For the access of Exit Button 1
B4	AIN4	For the access of Exit Button 2
B5	485-	Module-connecting Interface
B6	485+	

No.	Interface	Description
B7	12 V OUT2	PoE Network Interface(Supports IEEE 802.3af)
B8	GND	
C	LAN	

**Table 3-3 Power Supply**

Power Supply	Door Station Power Output
PoE (802.3af)	DC 12V OUT1/DC 12V OUT2 6 W MAX in total
DC 12 V	DC 12V OUT2 18 W MAX

**Two-Wire Main Unit Terminal**



**Figure 3-2 Two-Wire Main Unit Terminal**

**Table 3-4 Descriptions of Terminals and Interfaces**

No.	Interface	Description
A1	NC1	Door Lock Relay Output (NC)
A2	NO1	Door Lock Relay Output (NO)
A3	COM	Common Interface
A4	NC2	Door Lock Relay Output (NC)
A5	NO2	Door Lock Relay Output (NO)

## DS-KD8003 Series Module Door Station User Manual

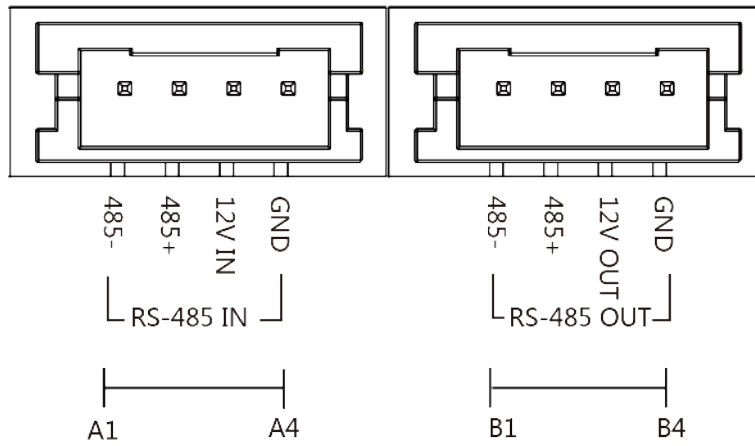
---

No.	Interface	Description
A6	GND	Grounding
A7	12 V IN/OUT1	The power output is 12 V, 500mA.
A8	GND	Grounding
B1	AIN2	For the access of Door Magnetic 2
B2	AIN1	For the access of Door Magnetic 1
B3	AIN3	For the access of Exit Button 1
B4	AIN4	For the access of Exit Button 2
B5	485-	Module-connecting Interface
B6	485+	
B7	12 V OUT2	
B8	GND	
C	Two-Wire Interface	Two-Wire Interface

**Table 3-5 Power Supply**

Power Supply	Distributor Model	Distributor Power Output	Door Station Power Output
DC 24 V	DS-KAD704Y	DC 24 V OUT 8 W MAX	DC 12V OUT1/DC 12V OUT2 3 W MAX in total
	DS-KAD706Y	DC 24 V OUT 16 W MAX	DC 12V OUT1/DC 12V OUT2 10 W MAX in total
	DS-KAD706Y-P(C)	DC 24 V OUT 16 W MAX	DC 12V OUT1/DC 12V OUT2 10 W MAX in total
DC 12 V	/	/	DC 12V OUT2 18 W MAX

**Sub Module Terminal (Except Touch-Display Module)**

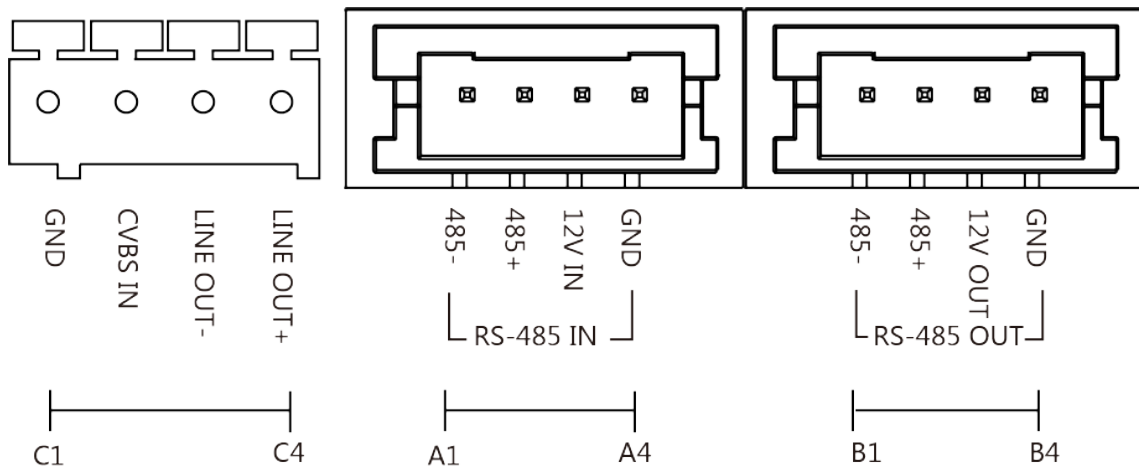


**Figure 3-3 Sub Module Terminal (Except Touch-Display Module)**

**Table 3-6 Description**

No.	Interface	Description
A1	485-	Module-Connecting Interface (Input)
A2	485+	
A3	12V IN	
A4	GND	
B1	485-	Module-Connecting Interface (Output)
B2	485+	
B3	12V OUT	
B4	GND	

**Touch-Display Module**



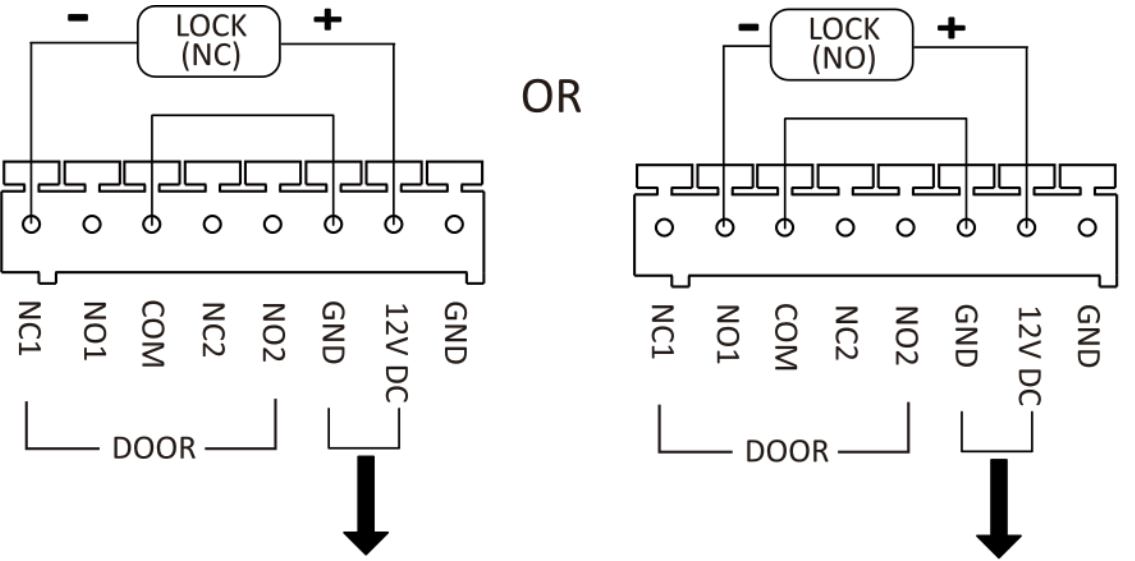
**Figure 3-4 Touch-Display Module**

**Table 3-7 Description**

No.	Interface	Description
A1	485-	Module-Connecting Interface (Input)
A2	485+	
A3	12V IN	
A4	GND	
B1	485-	Module-Connecting Interface (Output)
B2	485+	
B3	12V OUT	
B4	GND	
C1	GND	Grounding Interface
C2	CVSB IN	Composite Video Broadcast Signal Input (Reserved)
C3	LINEOUT-	Audio Output (Reserved)
C4	LINEOUT+	

### 3.3 Module Door Station Wiring

#### 3.3.1 Door Lock Wiring



Power output 12 V 500mA (Only working when using PoE for powering)

Figure 3-5 Door Lock Wiring

### 3.3.2 Door Contact Wiring

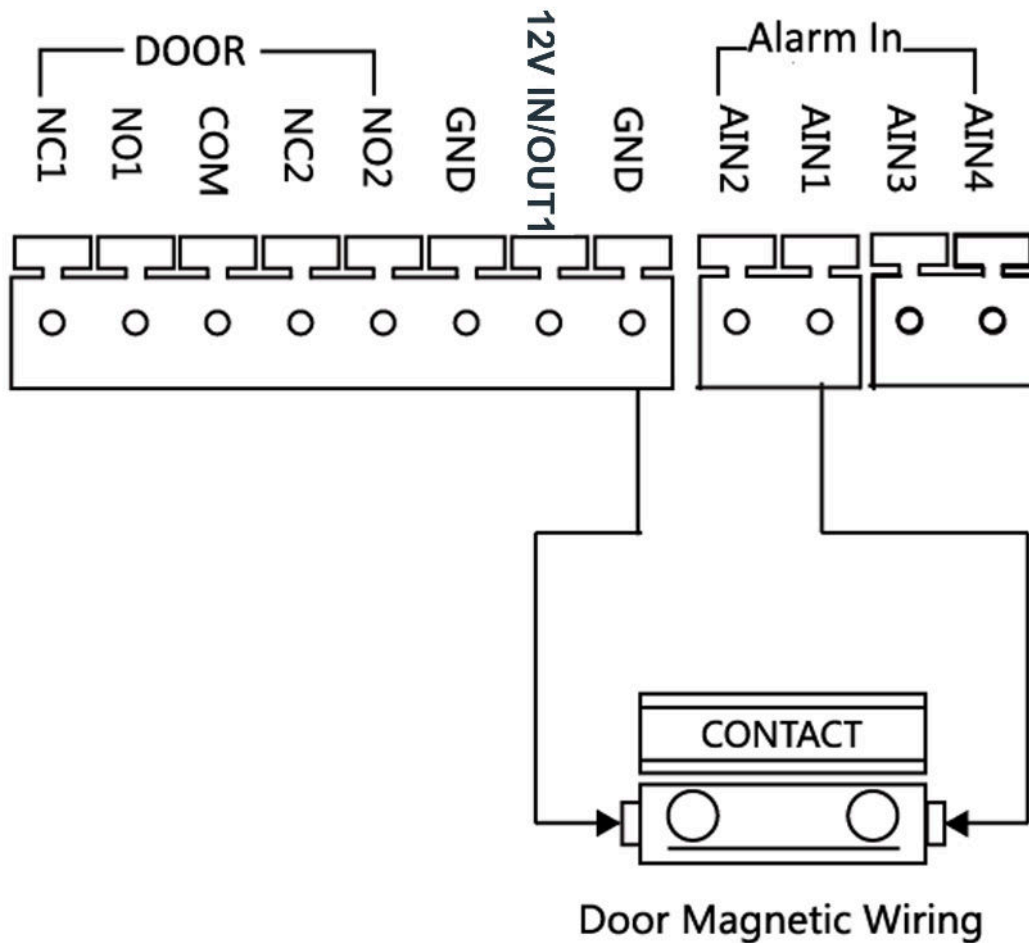


Figure 3-6 Door Contact Wiring

---

**Note**

AIN1 and AIN2 are defaulted to connect door contact. Door contact connected to AIN1 detects status of the lock that connected to NC1/NO1; Door contact connected to AIN2 detects the status of the lock connected to NC2/NO2.

---

3.3.3 Exit Button Wiring

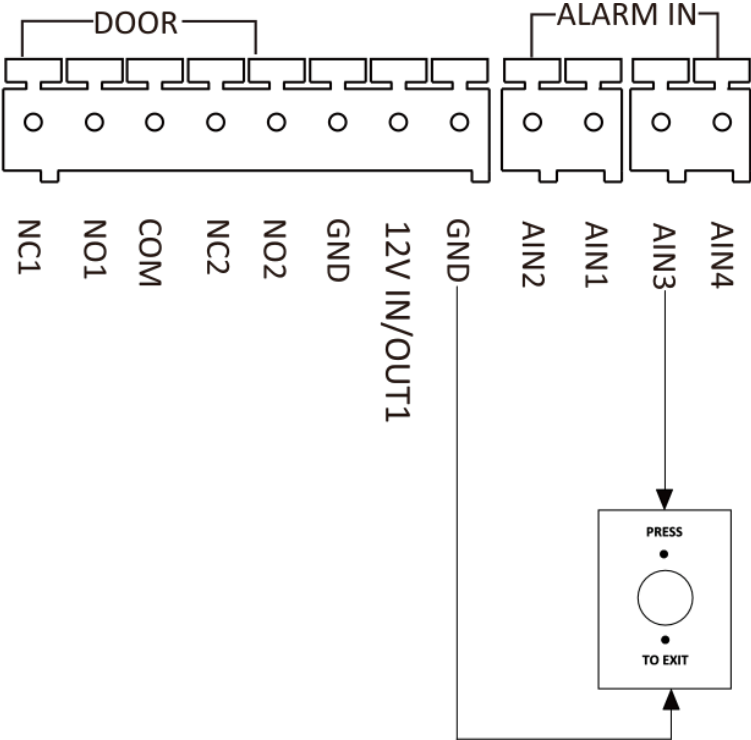


Figure 3-7 Exit Button Wiring

**Note**

AIN3 and AIN4 are set as default for connecting exit button. Exit button connected to AIN3 opens the lock connected to NC1/NO1; Exit button connected to AIN4 controls the lock that connected to NC2/NO2.

## Chapter 4 Installation

---

### Note

Two-Wire Video Intercom Main Unit and Video Intercom Main Unit share the same installation methods. Therefore, the following installation procedures will take Video Intercom Main Unit as an example.

---

### Note

- Make sure the device in the package is in good condition and all the assembly parts are included.
  - Sub module must work along with the main unit.
  - Set the sub module address before start the installation steps.
  - Make sure the place for surface mounting is flat.
  - Make sure all the related equipment is power-off during the installation.
  - Tools that you need to prepare for installation:  
Drill (∅6), cross screwdriver (PH1\*150 mm), and gradienter.
-

## 4.1 One-Module Installation

### 4.1.1 One-Module Surface Mounting

#### Before You Start

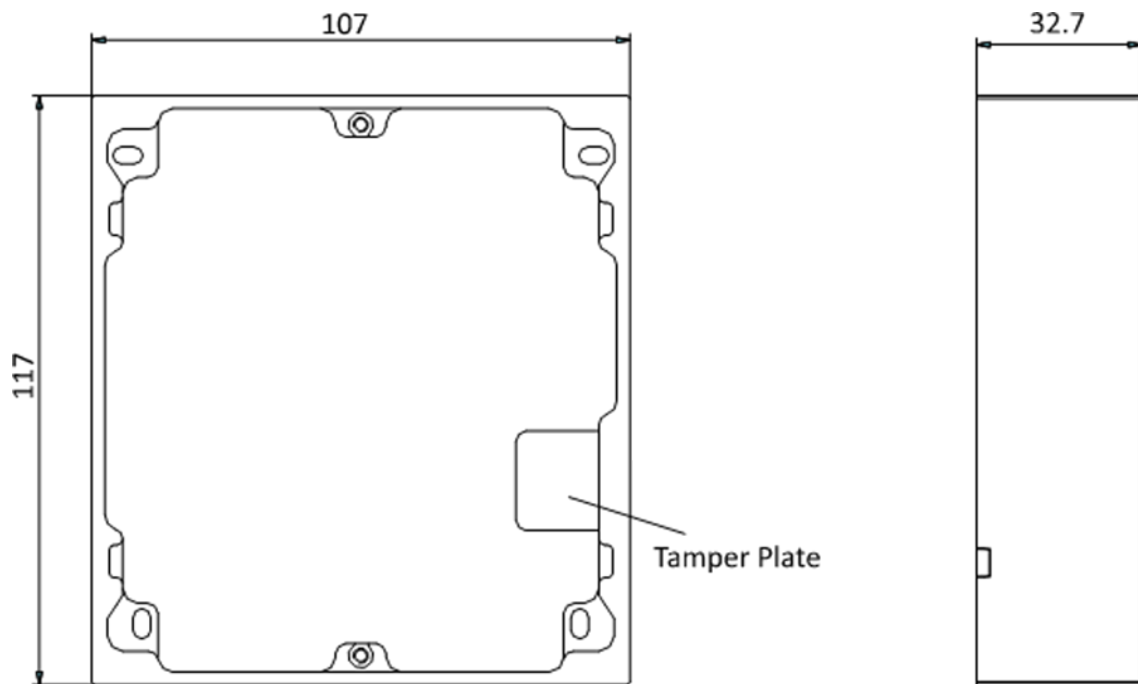


Figure 4-1 Mounting Frame

---

#### Note

- The dimension of one module mounting frame (W × H × D) is: 117 mm × 107 mm × 32.7 mm.
- The dimensions above are for reference only. The actual size can be slightly different from the theoretical dimension.

---

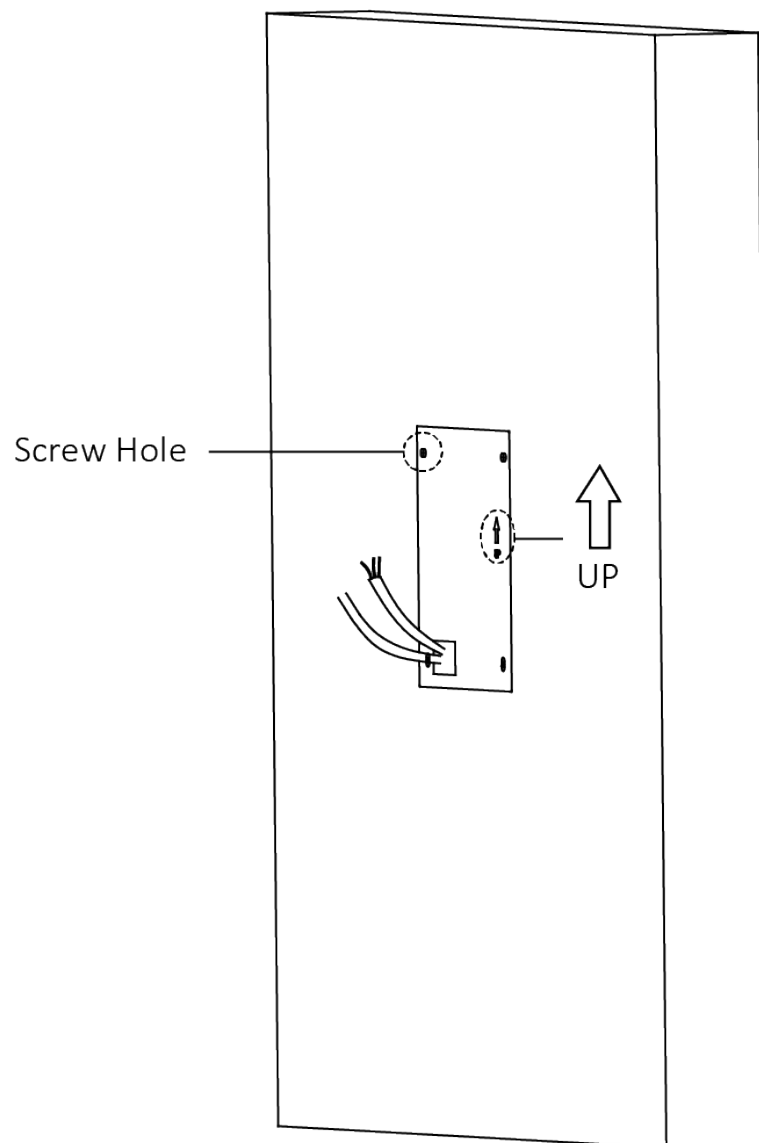
#### Steps

1. Paste the installation Sticker 1 onto the wall. Make sure the sticker is placed horizontally via measuring with the gradienter.
2. Drill 4 holes according to the screw holes on the sticker.

---

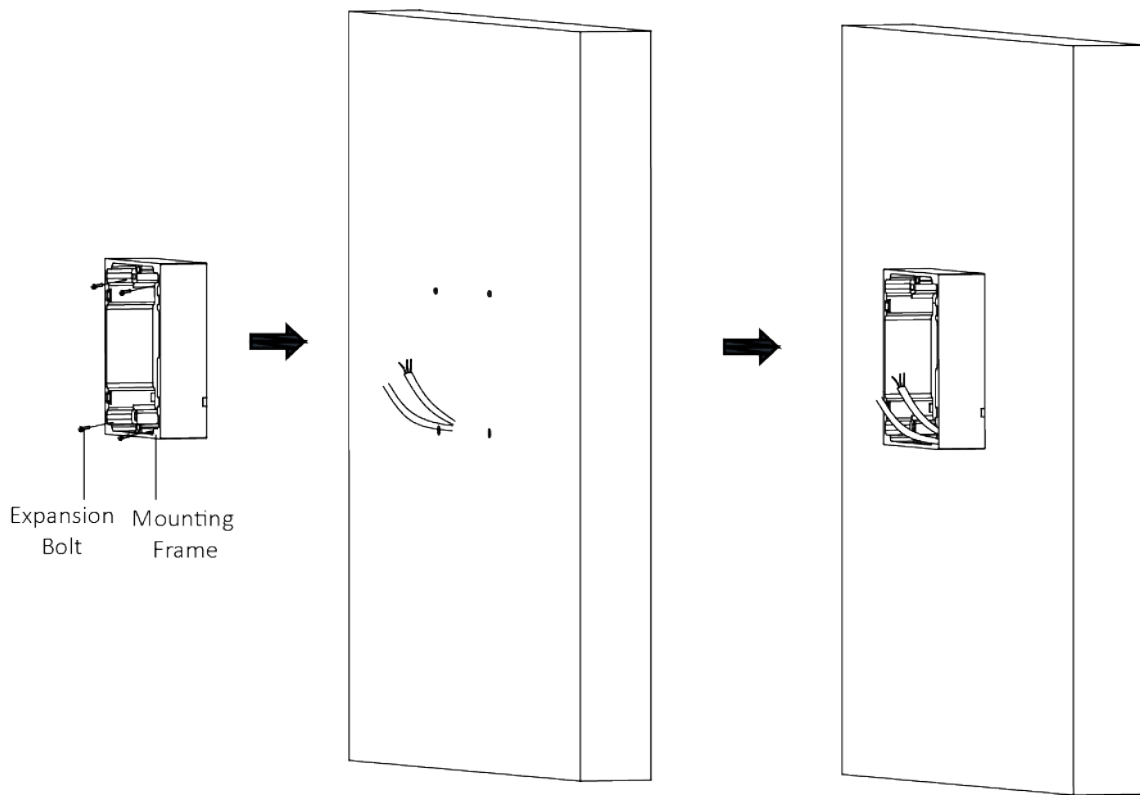
#### Note

- The suggested size of hole is 6 (diameter) × 25 (depth) mm.
  - The suggested length of cables left outside is 100 mm.
-



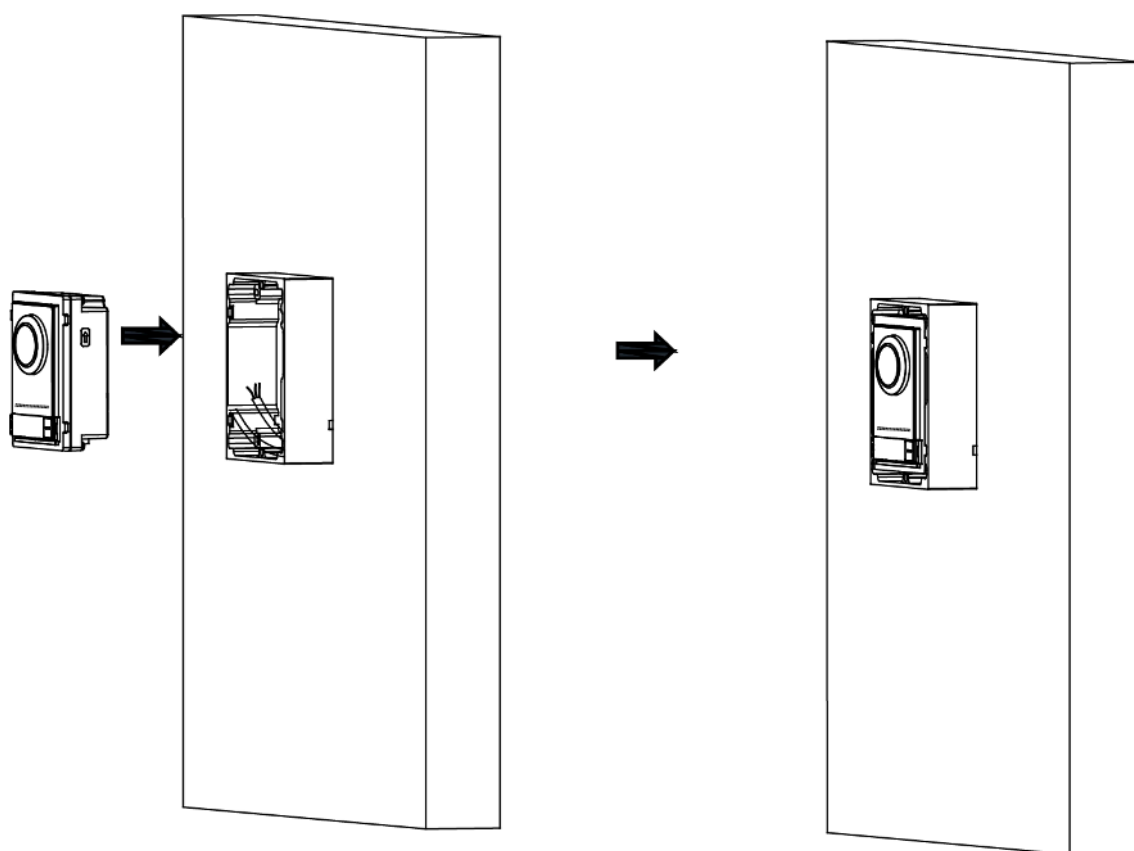
**Figure 4-2 Drill Screw Holes**

- 3.** Remove the stricker and insert the expansion sleeves into the screw holes.
- 4.** Fix the mounting frame onto the wall with 4 expansion bolts.



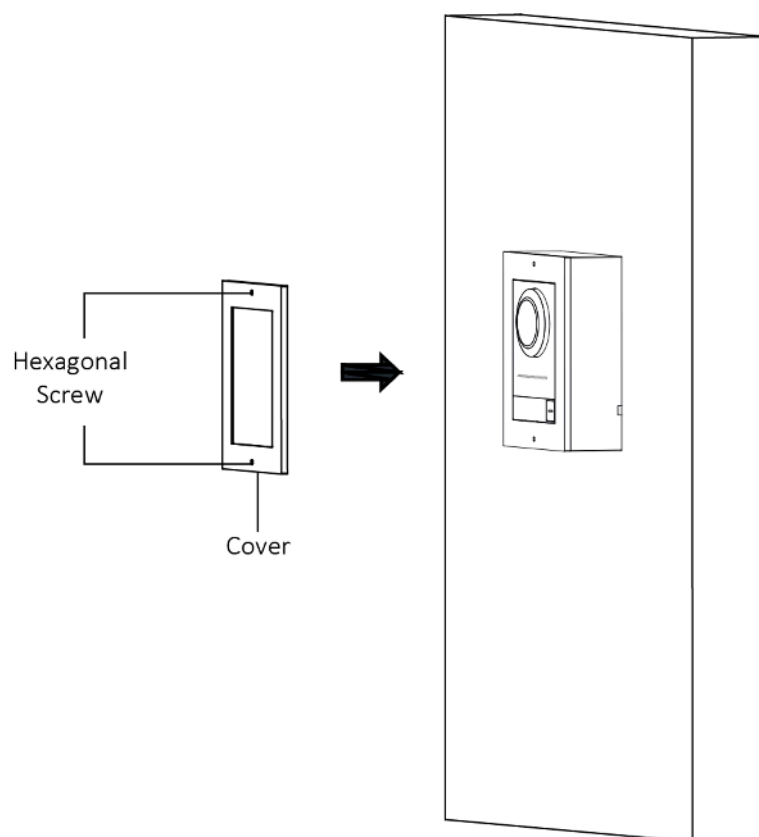
**Figure 4-3 Fix the Mounting Frame**

- 5.** Connect the cables to the corresponding interfaces of the main unit and insert the main unit into the frame.



**Figure 4-4 Insert the Main Unit**

**6.** Fix the cover onto the frame.



**Figure 4-5 Fix the Cover**

### 4.1.2 One-Module Flush Mounting

#### Before You Start

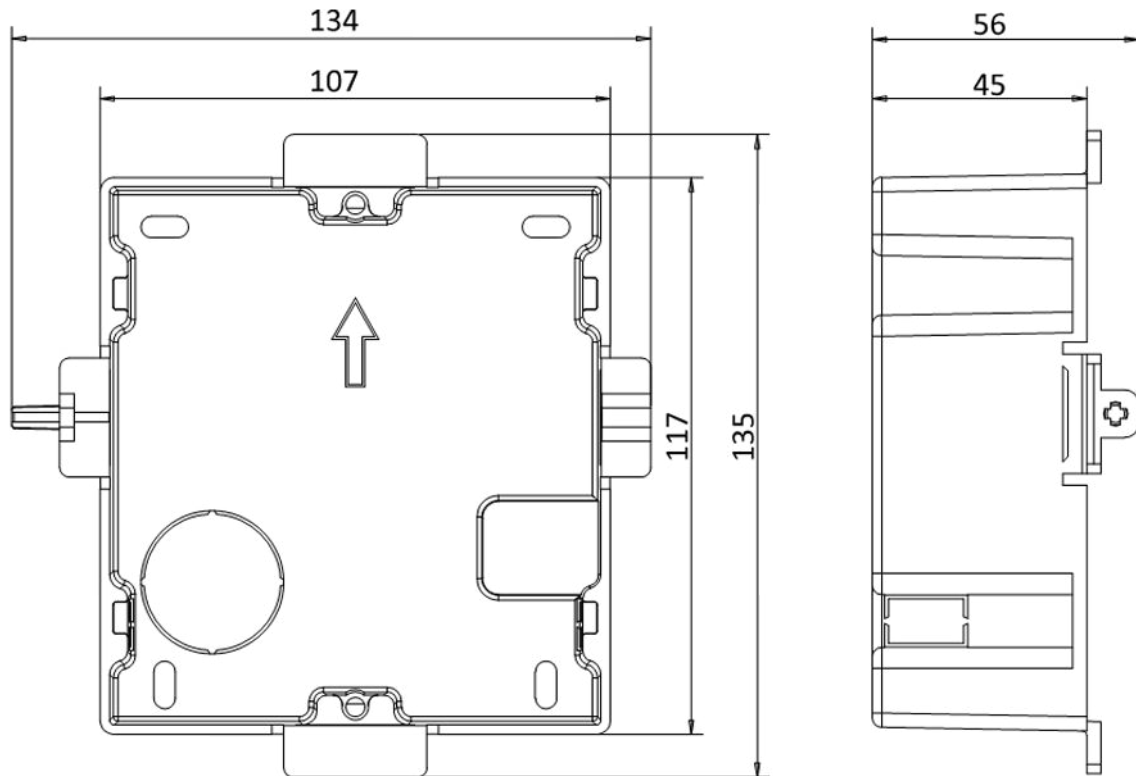


Figure 4-6 Front and Side View of the Gang Box

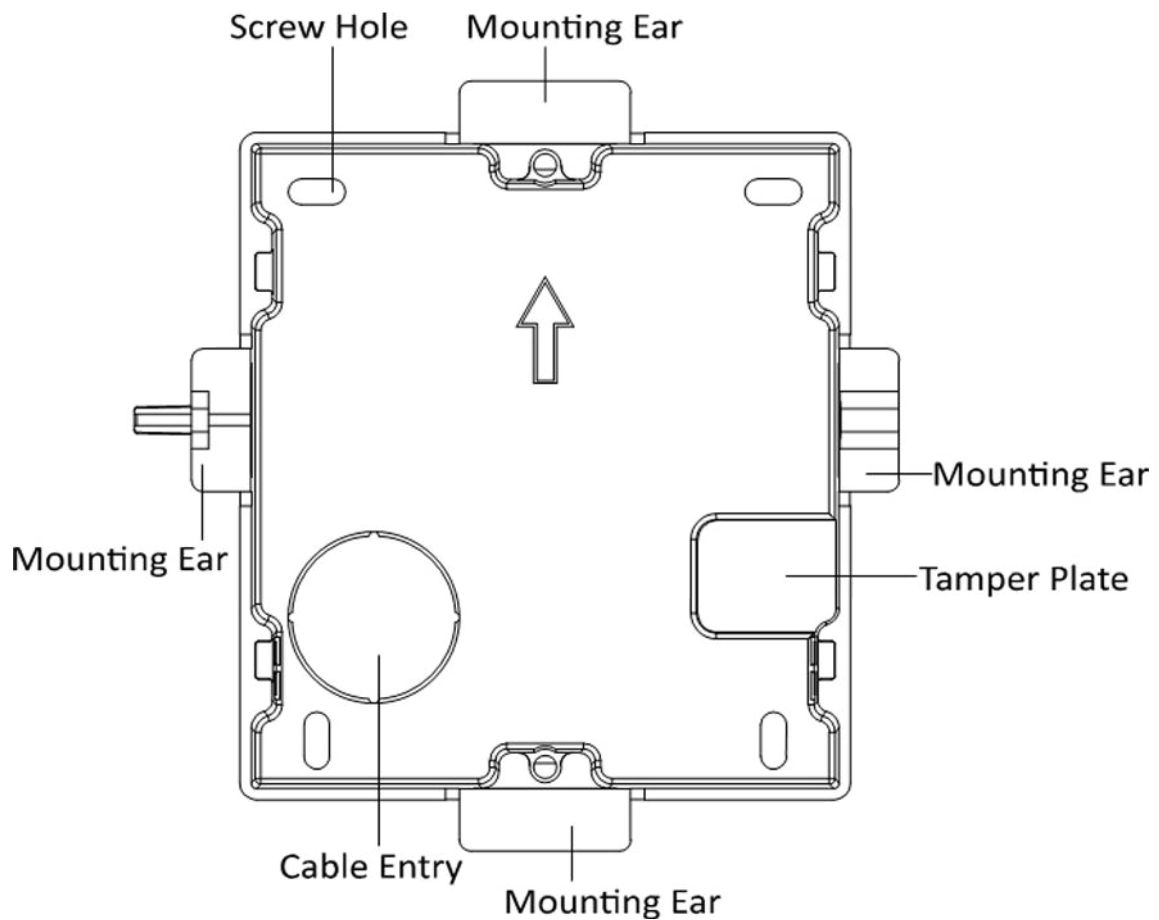


Figure 4-7 Gang Box

---

**Note**

The dimension of one-module gang box is: 115 (W) × 134 (H) × 56 (D) mm. The dimension is for reference only.

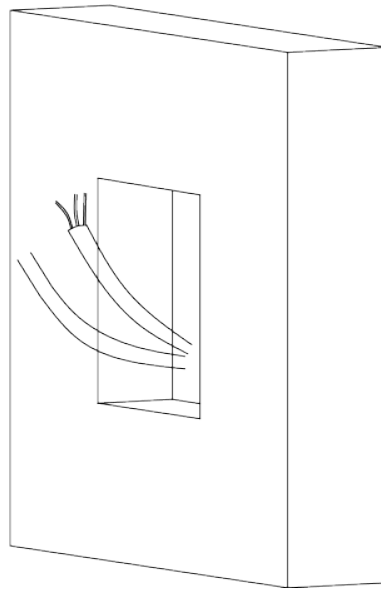
---

**Steps**

1. Drill an installation hole, and pull the cables out.
- 

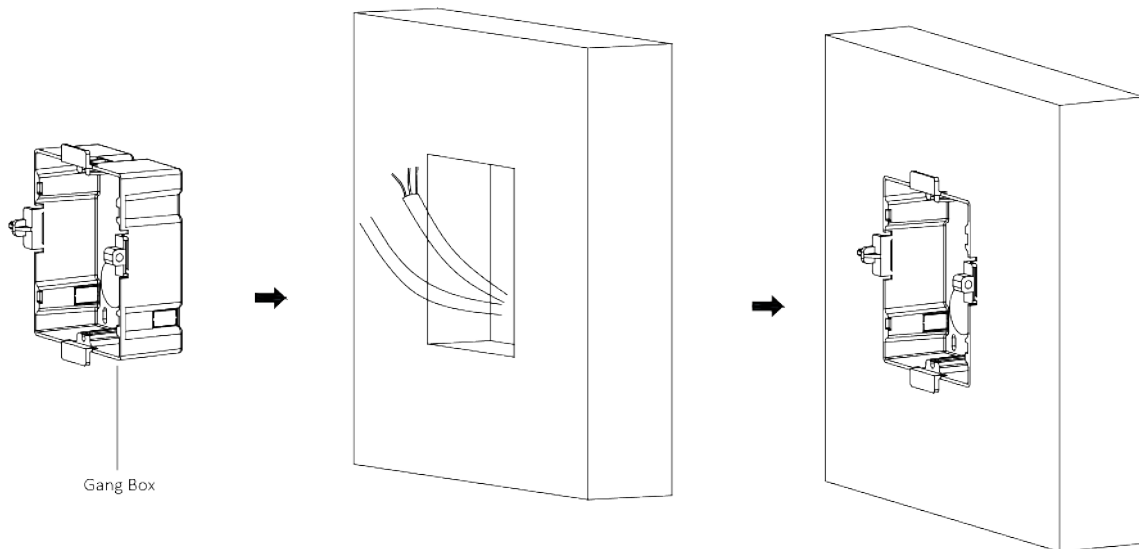
**Note**

- The suggested dimension of installation hole is 118 (W) × 108 (H) × 45.5 (D) mm.
  - The suggested length of cables left outside is 100 mm.
-



**Figure 4-8 Drill Installation Hole**

2. Remove the plastic sheet of the cable entry.
3. Mark the gang box screw holes on the wall.
  - 1) Route the cables through the gang box hole.
  - 2) Insert the gang box into the installation hole.
  - 3) Mark the gang box screw holes' position with a marker, and take out the gang box.



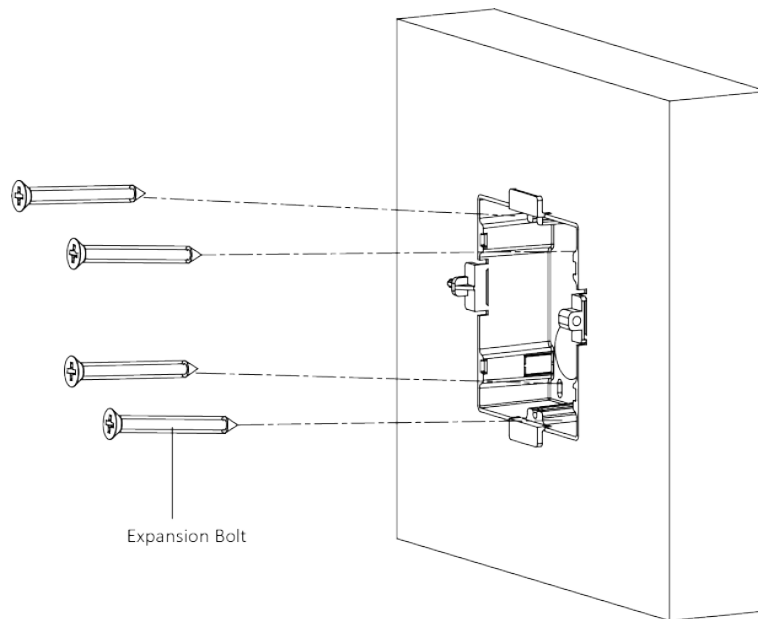
**Figure 4-9 Mark the Screw Holes**

4. Drill 4 holes according to marks on the wall, and insert the expansion sleeves into the screw holes.

 **Note**

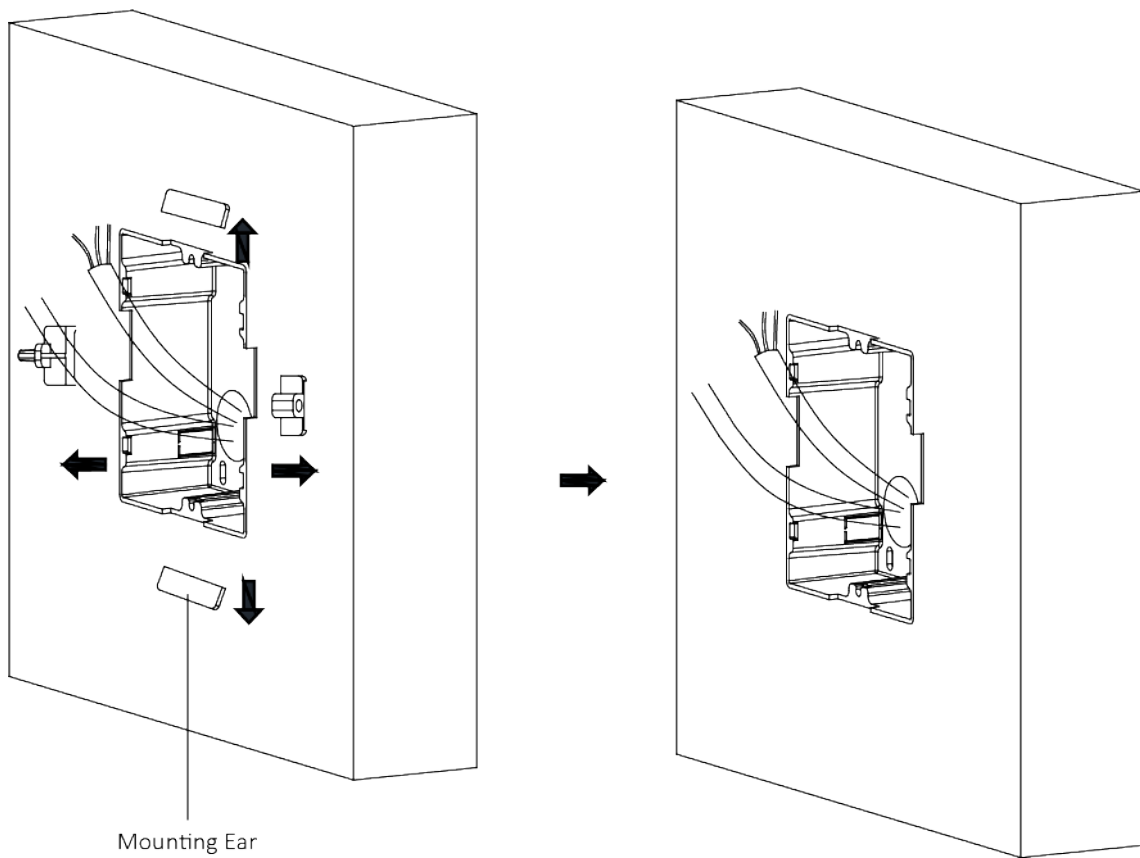
The suggested size of the hole is 6 (diameter) × 45 (depth) mm.

5. Route the cables through the gang box hole. Insert the gang box into the installation hole. Fix the gang box with 4 expansion bolts.



**Figure 4-10 Fix the Gang Box**

6. Fill the gap between the gang box and the wall with concrete. Remove the 4 mounting ears with tool after concrete is dry.



**Figure 4-11 Remove the Mounting Ears**

7. Connect the cables to the corresponding interfaces of the main unit and insert the unit into the gang box.

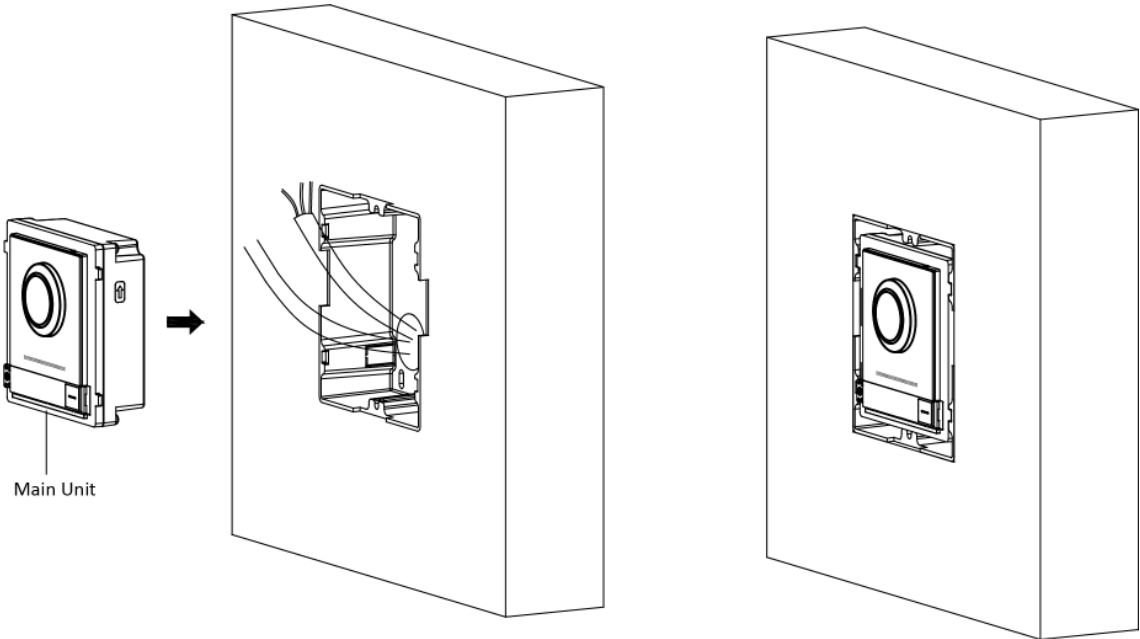


Figure 4-12 Insert the Main Unit

8. Fix the cover and the main unit with 2 socket head cap screws by using a hexagon wrench (supplied).

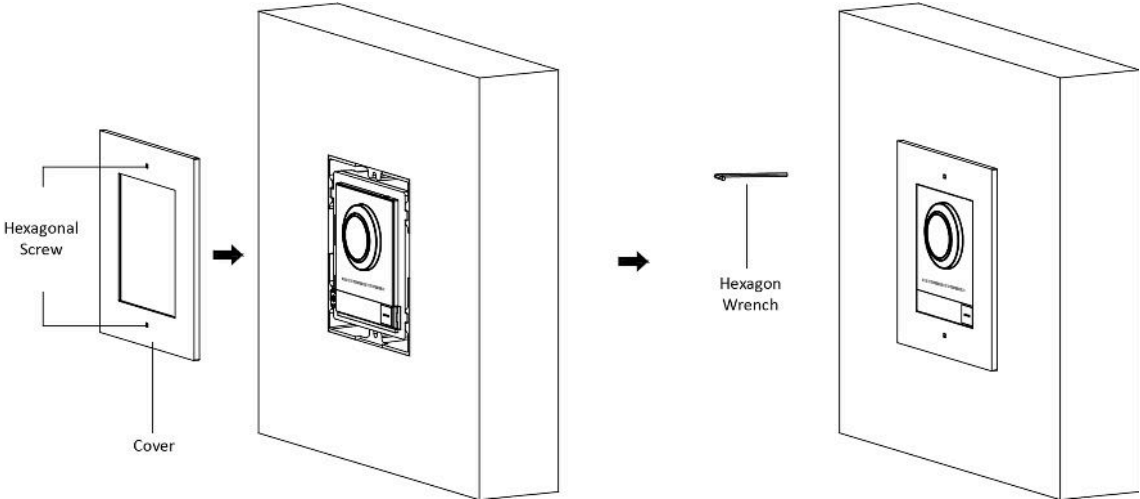
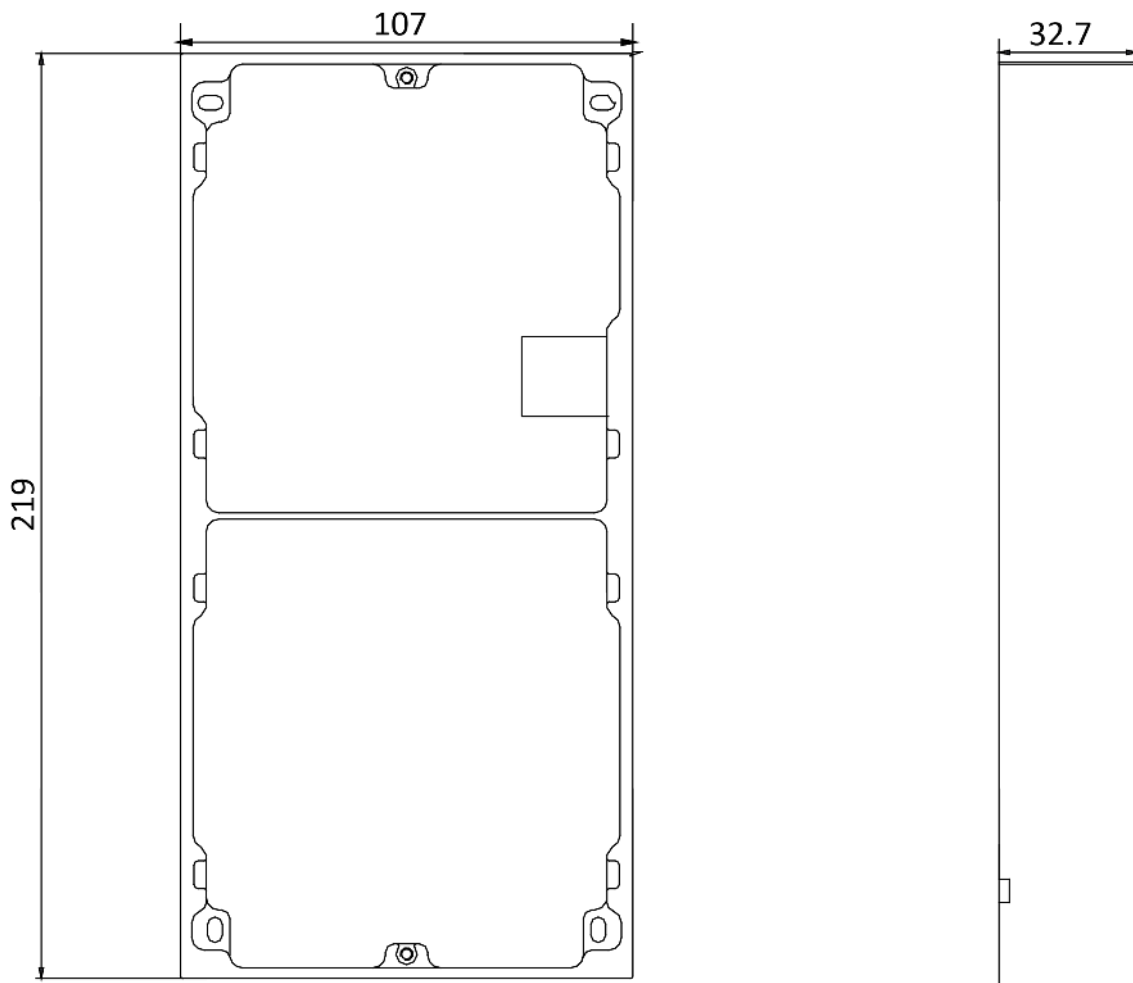


Figure 4-13 Fix the Cover

## 4.2 Two-Module Installation

### 4.2.1 Two-Module Surface Mounting

#### Before You Start



**Figure 4-14 Mounting Frame**

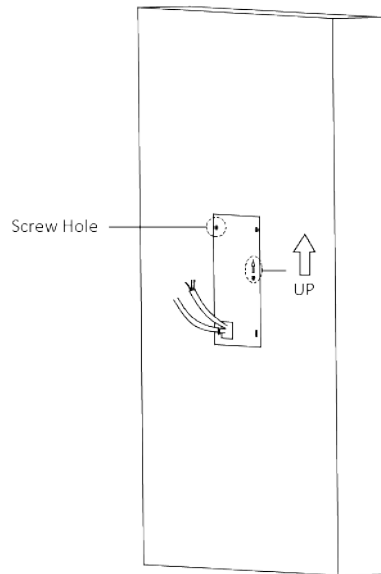
---

**Note**

- The dimension of two-module mounting frame (W × H × D) is: 219 mm × 107 mm × 32.7 mm.
  - The dimensions above are for reference only. The actual size can be slightly different from the theoretical dimension.
-

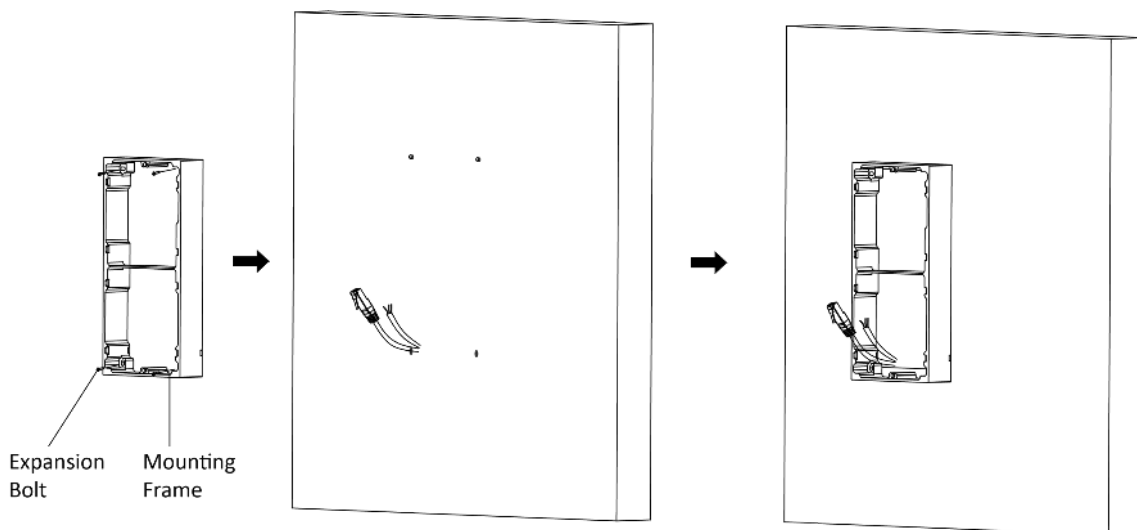
## Steps

1. Paste the installation Sticker 1 onto the wall. Make sure the sticker is placed horizontally via measuring with the gradienter.
2. Drill 4 holes according to the screw holes on the sticker. The suggested size of hole is 6 (diameter) × 25 (depth) mm. The suggested length of cables left outside is 270 mm.



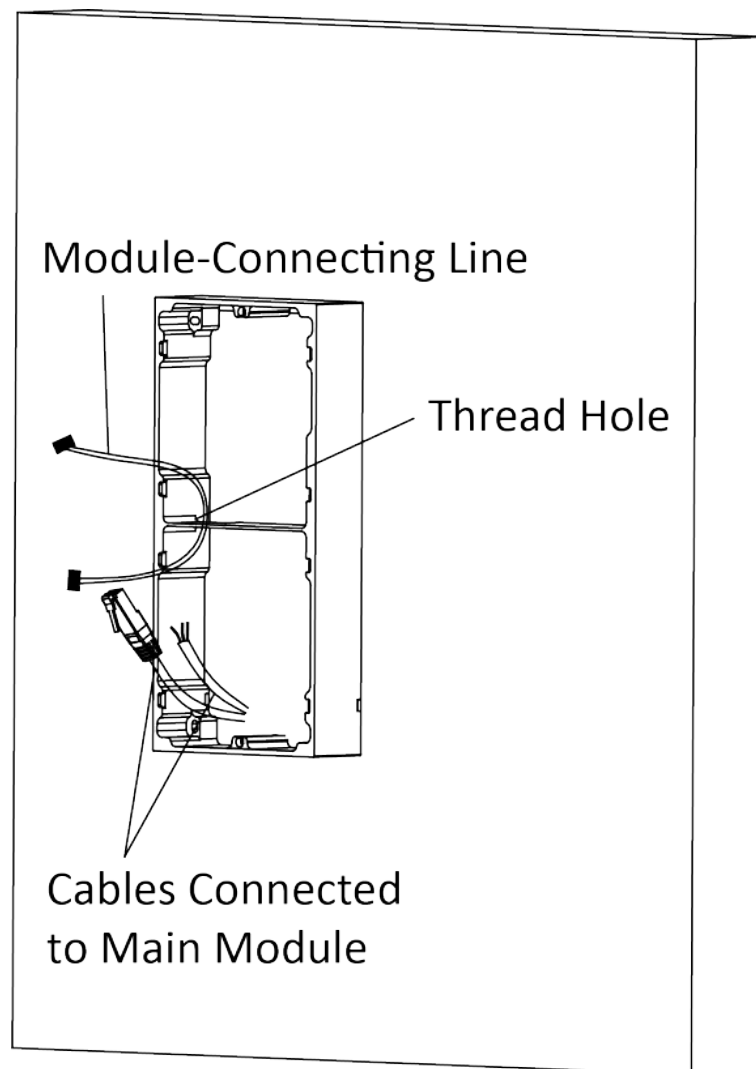
**Figure 4-15 Drill Screw Holes**

3. Remove the sticker and insert the expansion sleeves into the screw holes.
4. Fix the mounting frame onto the wall with 4 expansion bolts.



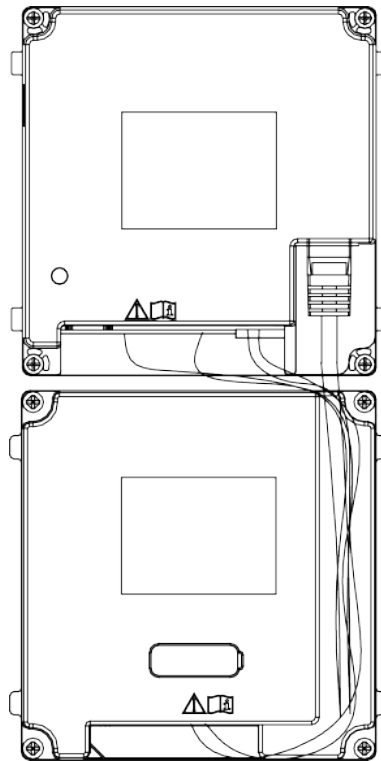
**Figure 4-16 Fix the Mounting Frame**

5. Thread the module-connecting line across the thread hole of the frame. Pass the main unit connecting lines across the thread hole to the upper grid.



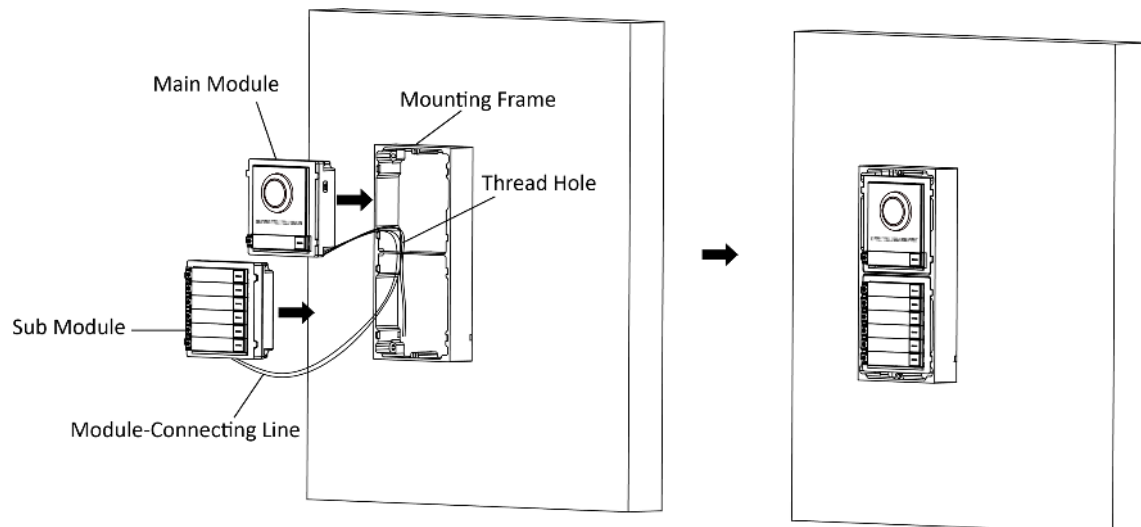
**Figure 4-17 Placement of Lines**

6. Connect the cables.
  - 1) Connect the lines and module-connecting line to the corresponding interfaces of the main unit, then place the main unit into the upper grid.
  - 2) Connect the other end of the module-connecting line to the input interface of the sub module.
  - 3) Organize the cable with cable tie in the package. The suggested cable connection picture as shown below.



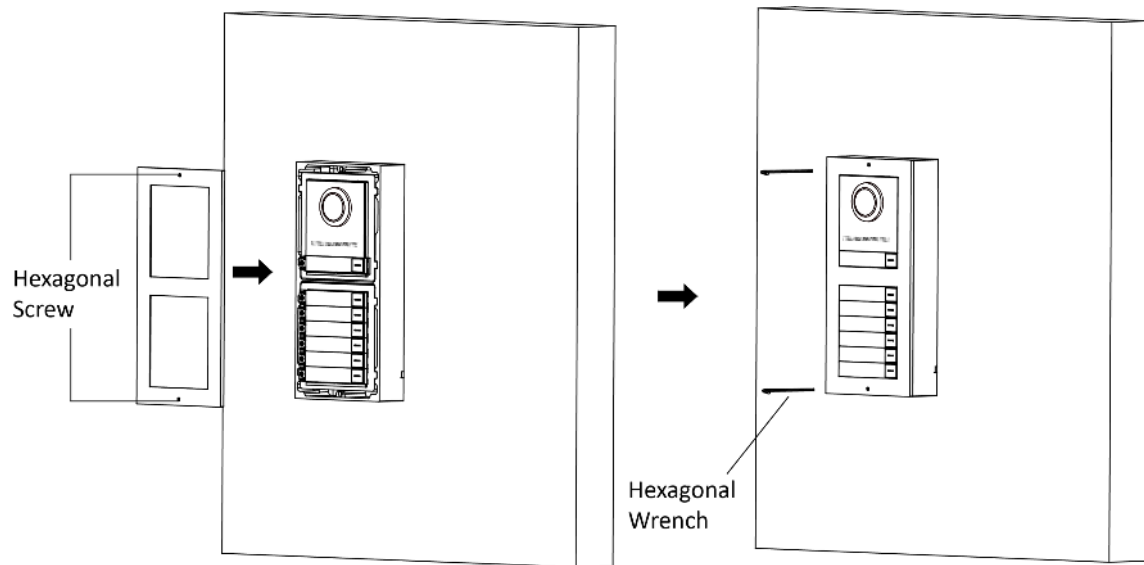
**Figure 4-18 Line Connection Effect Picture**

7. Insert the modules into the frame after wiring. The main unit must be placed in the top grid.



**Figure 4-19 Insert the Modules**

8. Use the hexagon wrench in the package to fix the cover onto the frame.



**Figure 4-20 Fix the Cover**

## 4.2.2 Two-Module Flush Mounting

### Before You Start

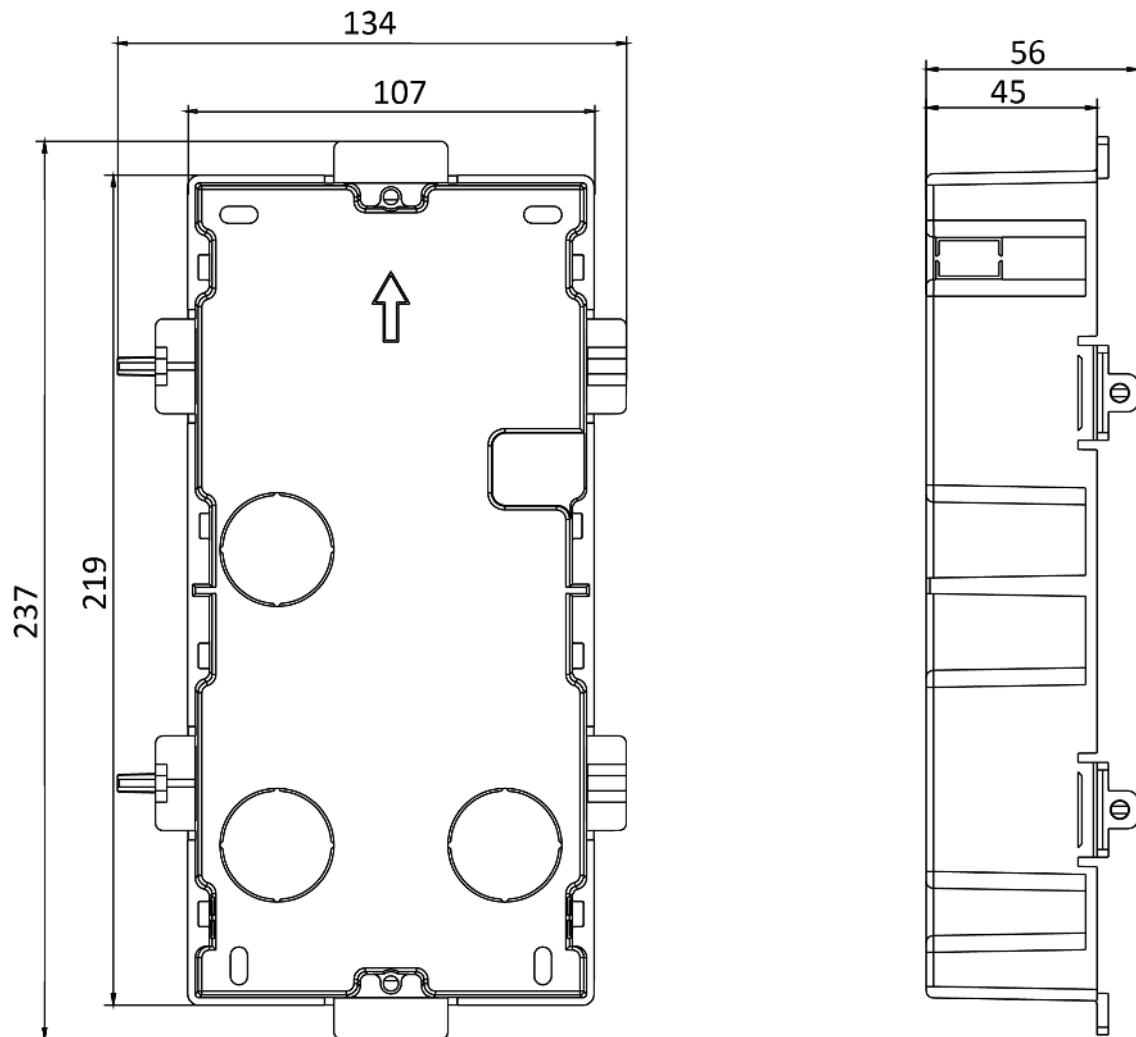


Figure 4-21 Gang Box

---

**Note**

The dimension of two-module gang box is: 237 (W) × 134 (H) × 56 (D) mm. The dimension is for reference only.

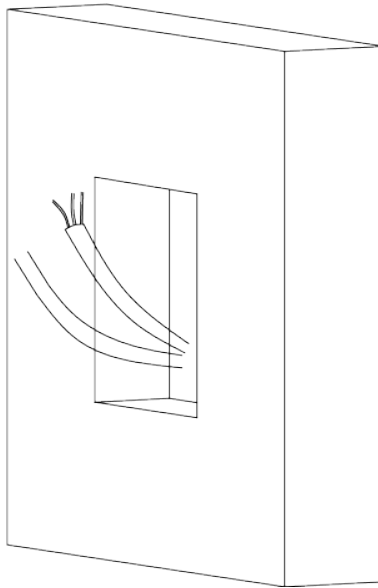
---

### Steps

1. Drill the installation hole, and pull the cable out.

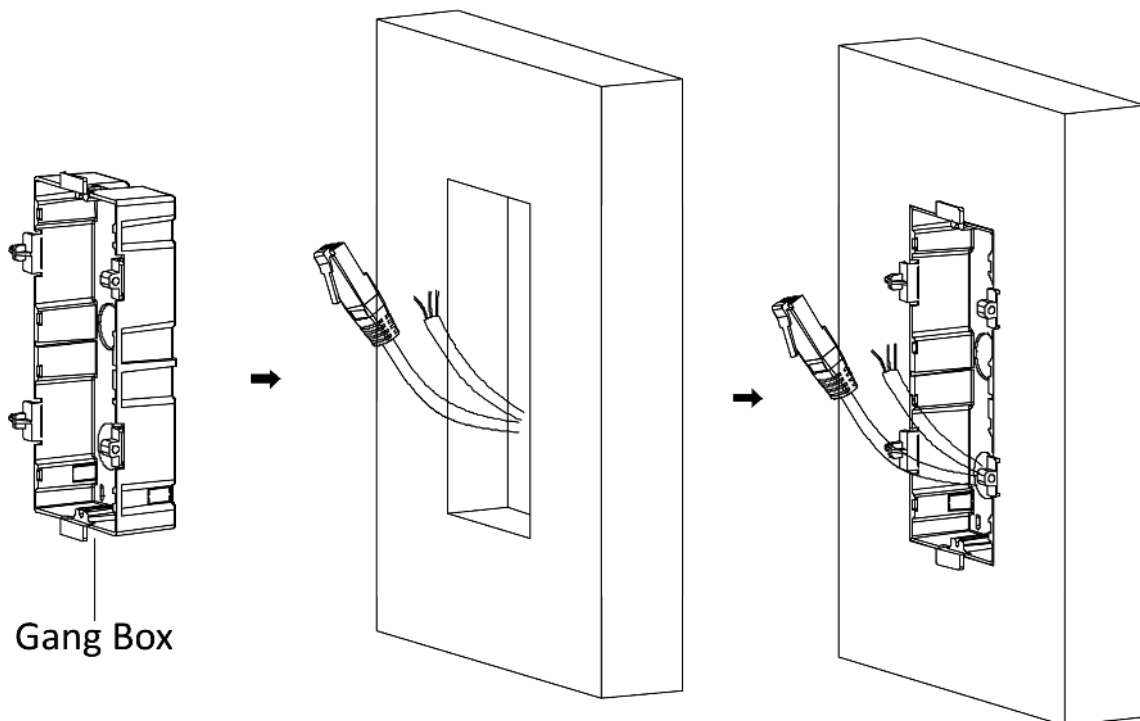
 **Note**

- The suggested dimension of installation hole is 220 (W) × 108 (H) × 45.5 (D) mm.
  - The suggested length of cables left outside is 270 mm.
- 



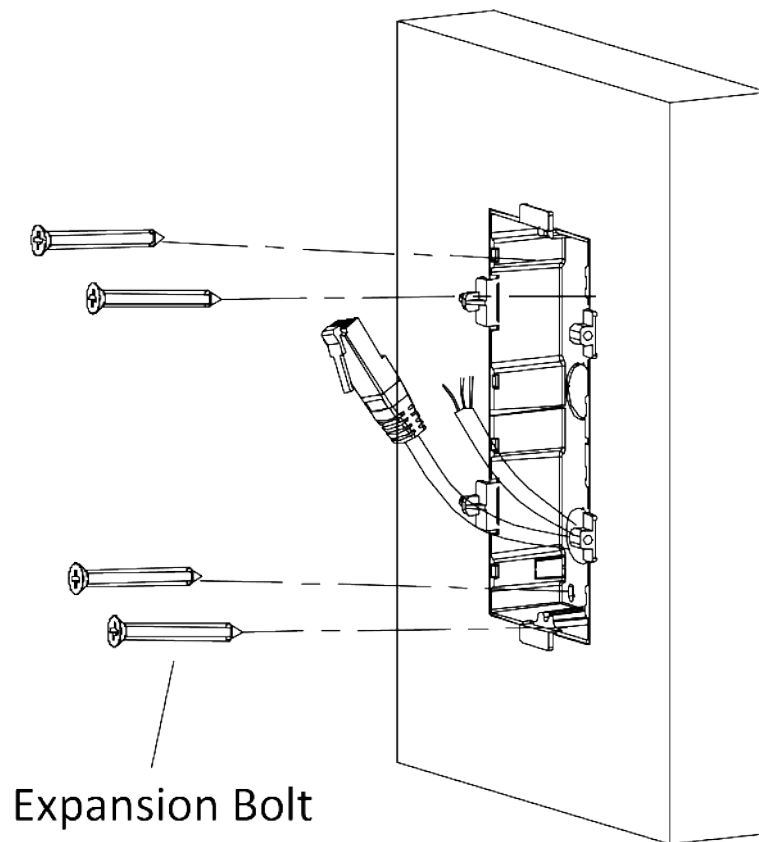
**Figure 4-22 Drill the Installation Hole**

2. Select a cable entry and remove the plastic sheet.
3. Mark the gang box screw holes on the hole.
  - 1) Route the cables through the gang box hole.
  - 2) Insert the gang box into the installation hole.
  - 3) Mark the gang box screw holes' position with a marker, and take out the gang box.



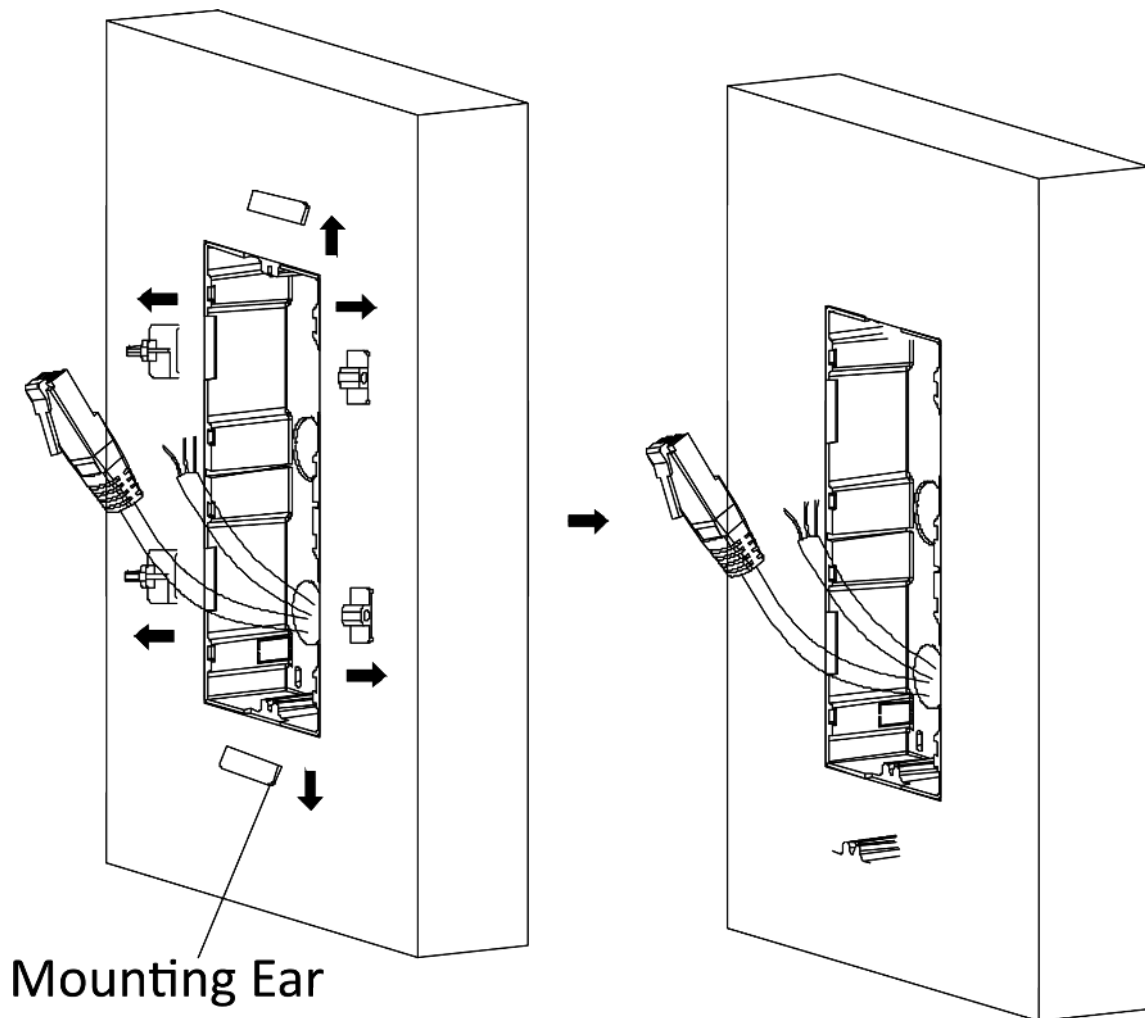
**Figure 4-23 Mark the Screw Holes**

4. Drill 4 holes according to the marks on the wall, and insert the expansion sleeves into the screw holes. The suggested size of hole is 6 (diameter) × 45 (depth) mm.
5. Fix the gang box with 4 expansion bolts.



**Figure 4-24 Fix the Gang Box**

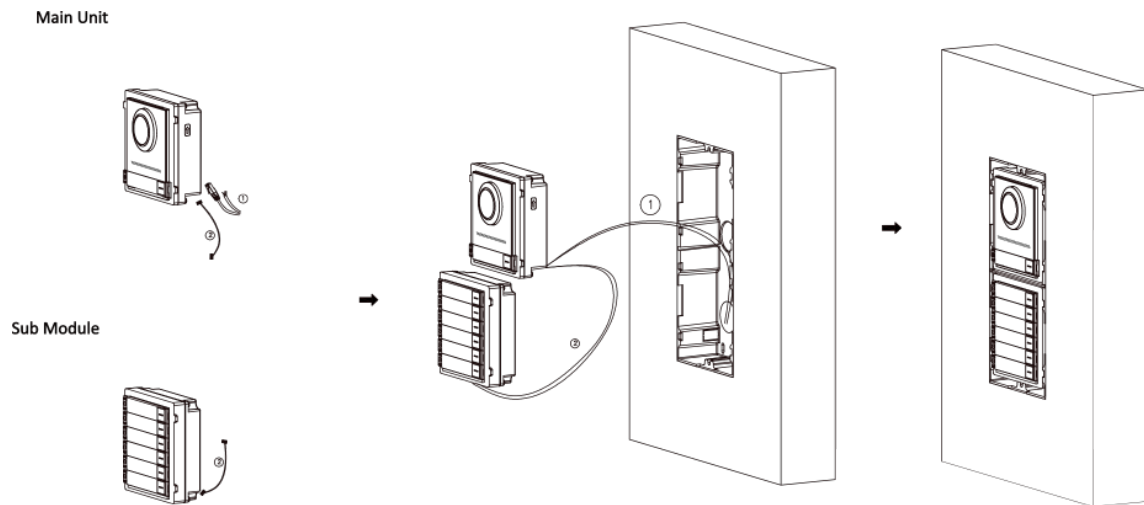
6. Fill the gap between the gang box and the wall with concrete. Remove the mounting ears with tool after concrete is dry.



**Figure 4-25 Remove the Mounting Ears**

**7. Connect cables and insert the modules.**

- 1) Connect Cable 1 and one end of Cable 2 to the corresponding interfaces of the main unit, then insert the main unit into the upper grid.
- 2) Connect the other end of Cable 2 to the input interface of the sub module. Insert it into the lower grid.



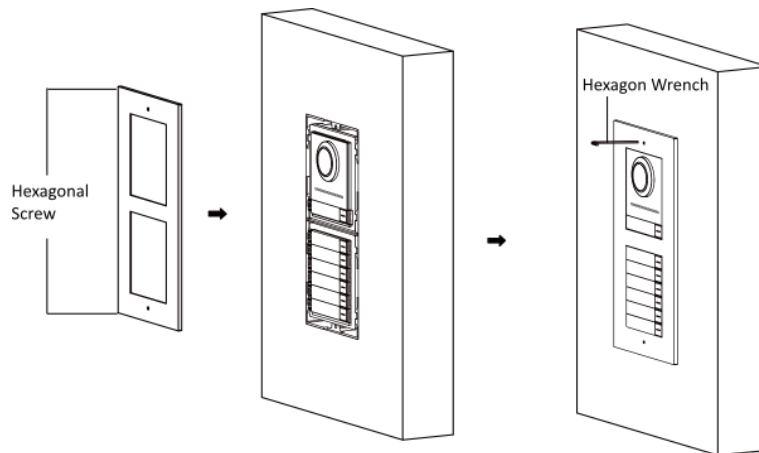
**Figure 4-26 Connect Cables and Insert the Modules**

---

**Note**

Cable 1 refers to the cables pulled out from the wall that connected to the main unit. Cable 2 refers to the module-connecting line in the accessory package.

- 
8. Fix the cover with 2 socket head cap screws by using a hexagon wrench (supplied).



**Figure 4-27 Fix the Cover**

## 4.3 Three-Module Installation

### 4.3.1 Three-Module Surface Installation

#### Before You Start

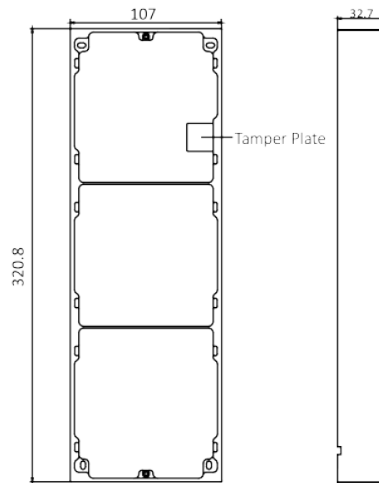


Figure 4-28 Mounting Frame

---

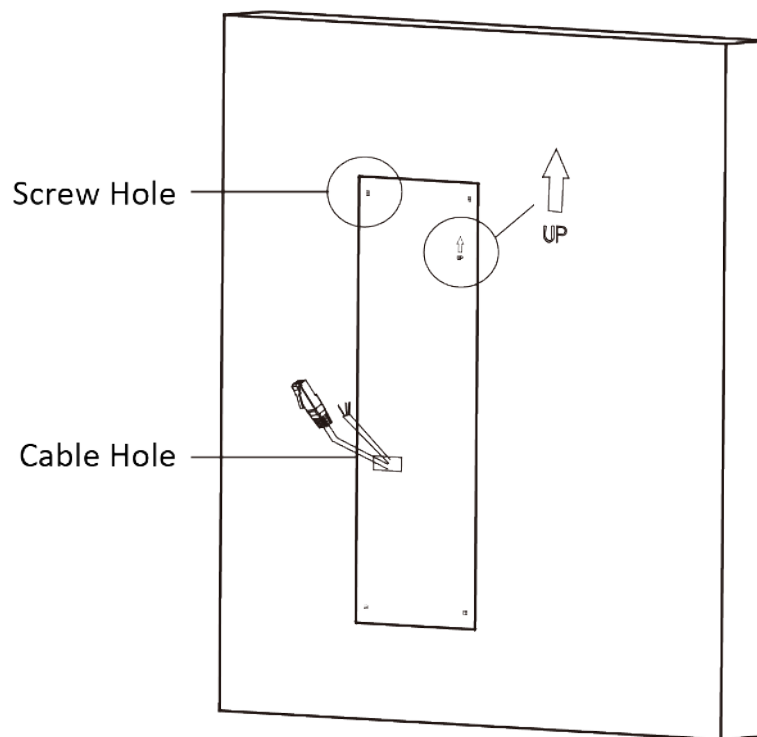
#### Note

- The dimension of two-module mounting frame (W × H × D) is: 320.8 mm × 107 mm × 32.7 mm.
- The dimensions above are for reference only. The actual size can be slightly different from the theoretical dimension.

---

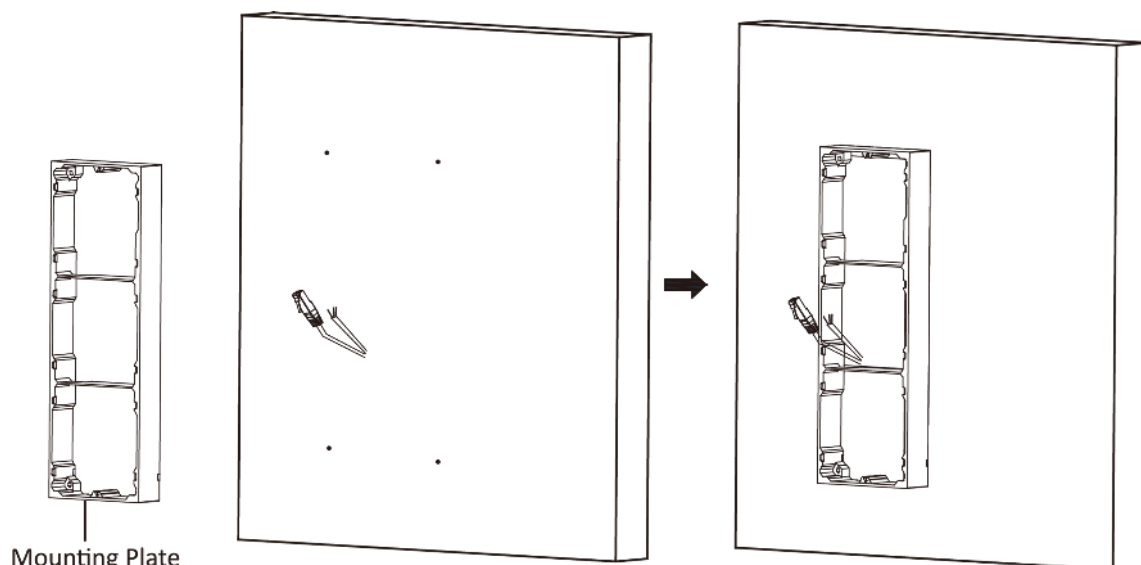
#### Steps

1. Paste the installation sticker 1 onto the wall. Make sure the sticker is placed horizontally via measuring with the gradienter.
2. Drill 4 holes according to the screw holes on the sticker. The suggested size of hole is 6 (diameter) × 25 (depth) mm. The suggested length of cables left outside is 270 mm.



**Figure 4-29 Drill Screw Holes**

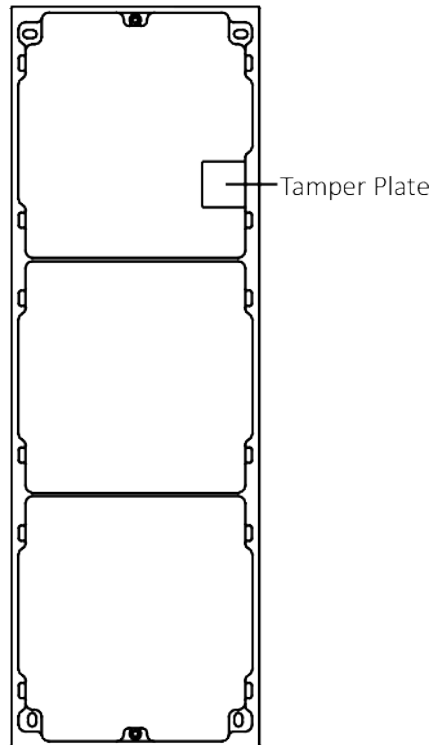
3. Remove the sticker and insert the expansion sleeves into the screw holes.
4. Fix the mounting frame onto the wall with 4 expansion bolts.



**Figure 4-30 Fix the Mounting Frame**

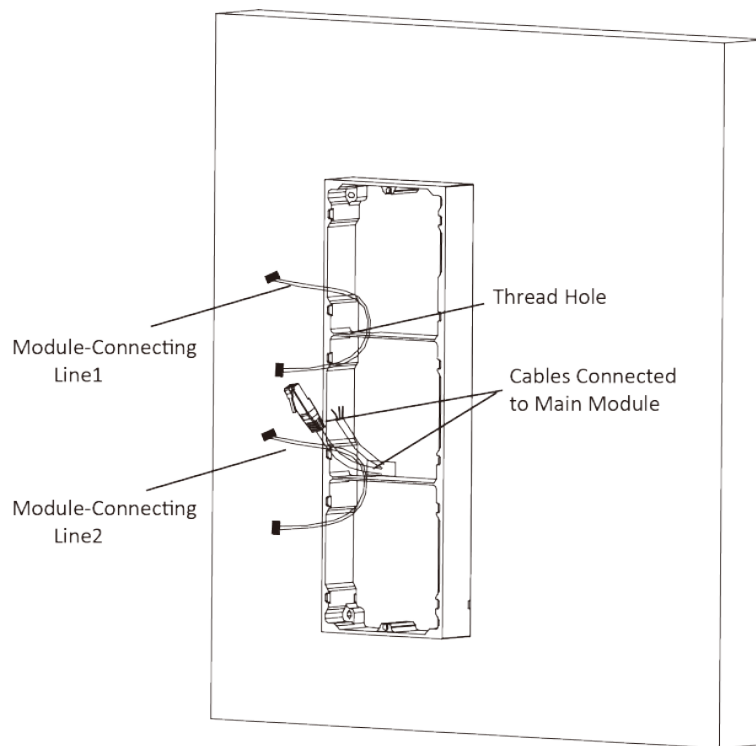
 **Note**

The mounting frame should be placed exactly as shown below for this step. The tamper plate should be at the low right of the first grid.



**Figure 4-31 Mounting Frame**

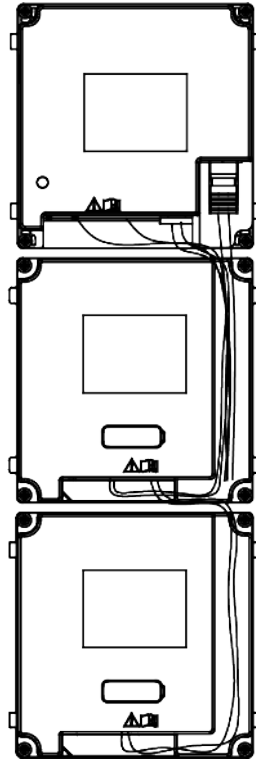
- 
5. Thread the module-connecting line across the thread holes of the frame. Pass the main unit connecting line across the thread hole to the top grid.



**Figure 4-32 Placement of Lines**

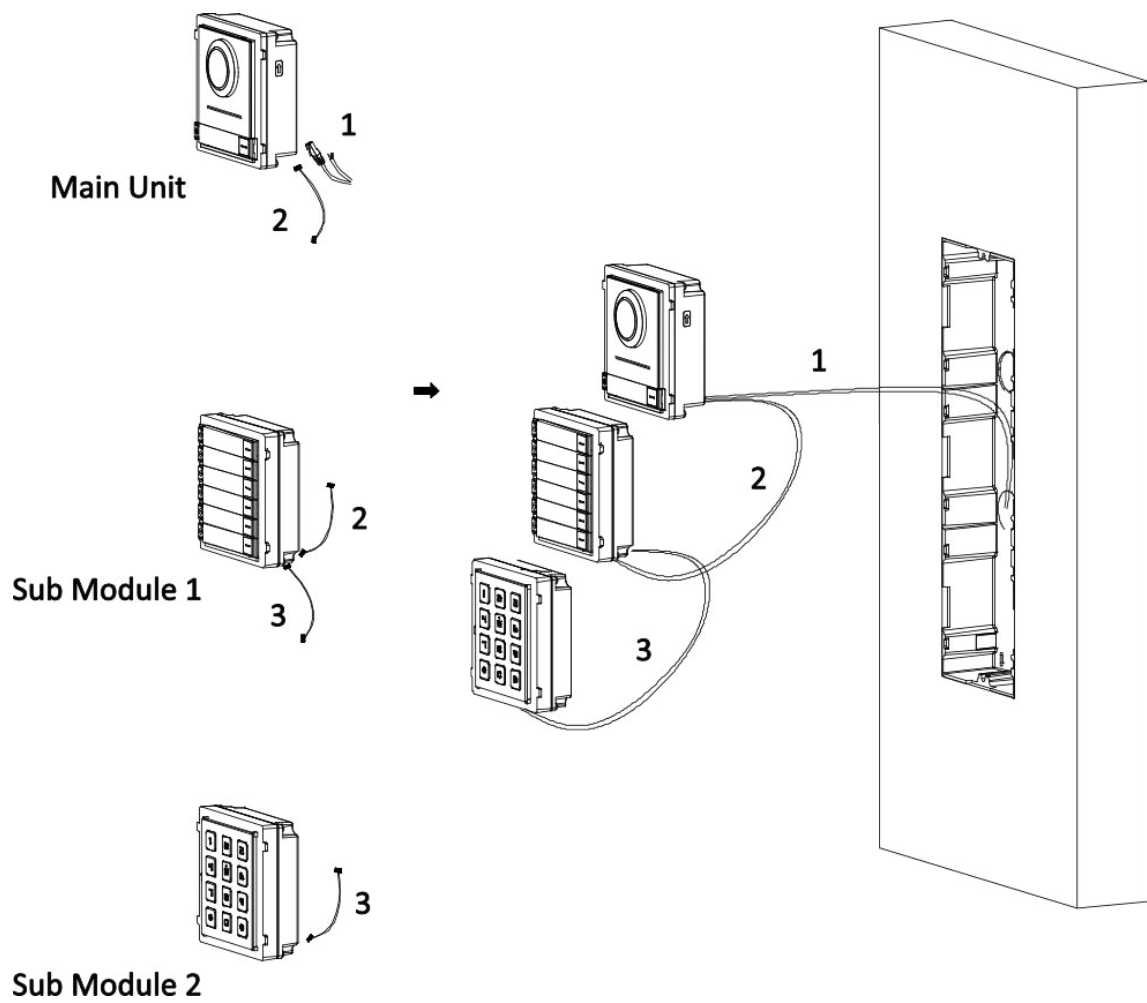
**6. Connect the cables.**

- 1) Connect the lines and module-connecting line 1 to the corresponding interfaces of the main unit, then place the main unit into the upper grid.
- 2) Connect the other end of the module-connecting line 1 to the input interface of the sub module. Connect two sub modules via module-connecting line 2.
- 3) Organize the cables with cable tie in the package. The suggested cable connection picture as shown below.



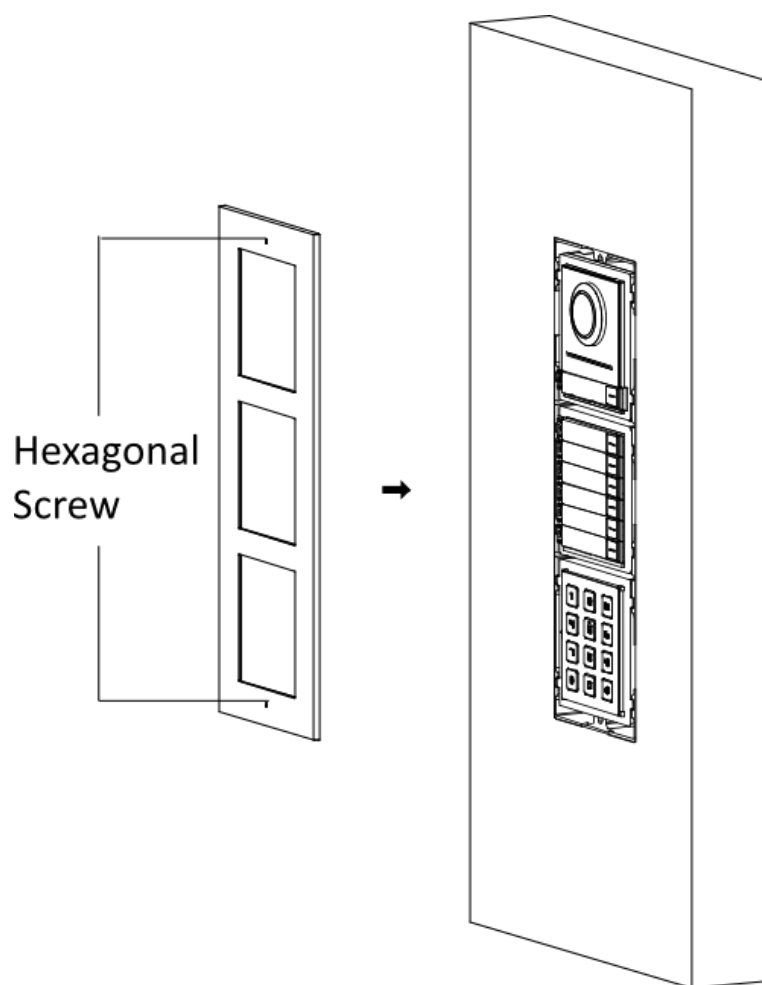
**Figure 4-33 Line Connection Effect Picture**

7. Insert the modules into the frame after wiring. The main unit must be placed in the top grid.



**Figure 4-34 Insert the Modules into the Frame**

8. Use the hexagon wrench in the package to fix the cover onto the frame.



**Figure 4-35 Fix the Cover**

### 4.3.2 Three-Module Flush Mounting

#### Before You Start

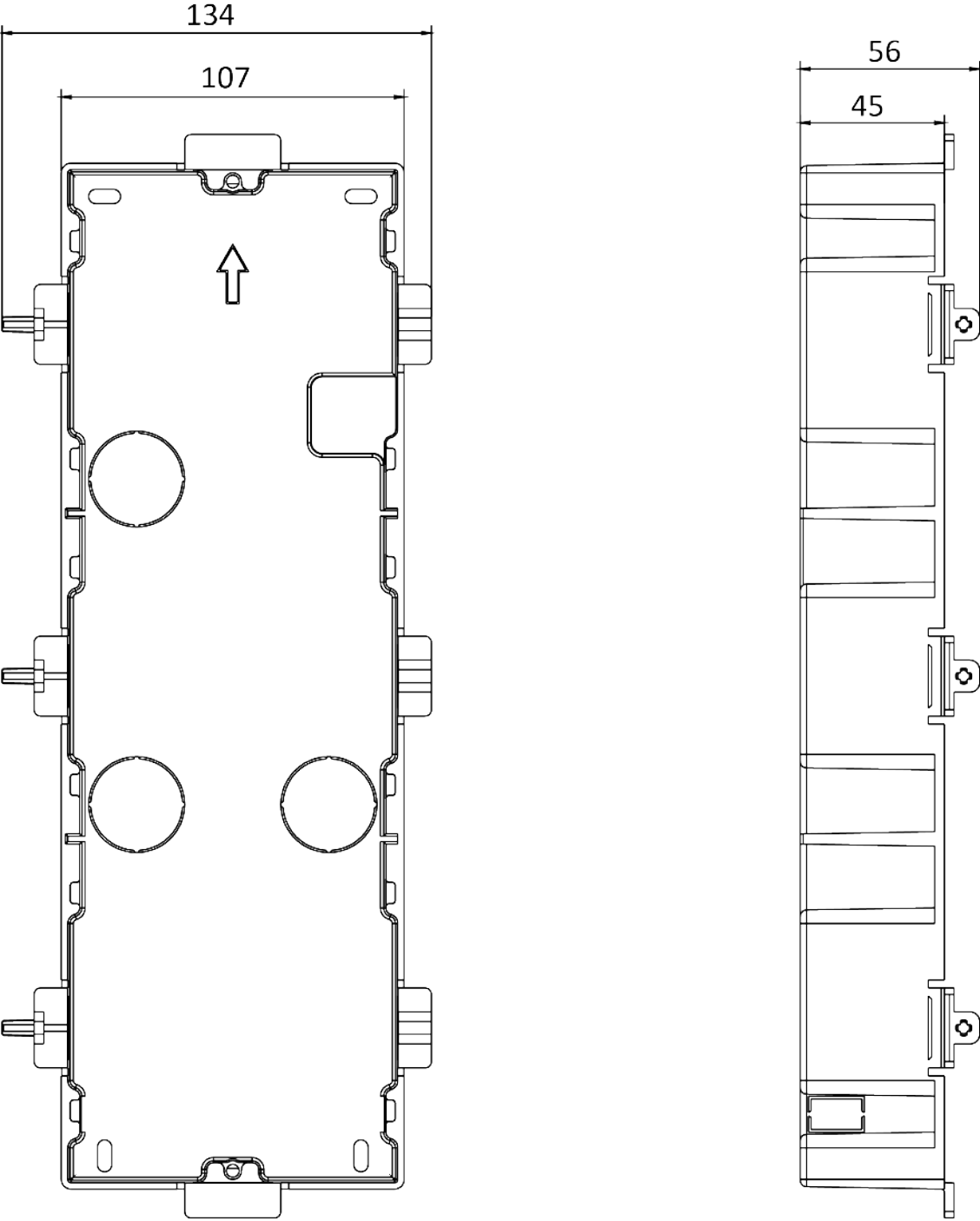


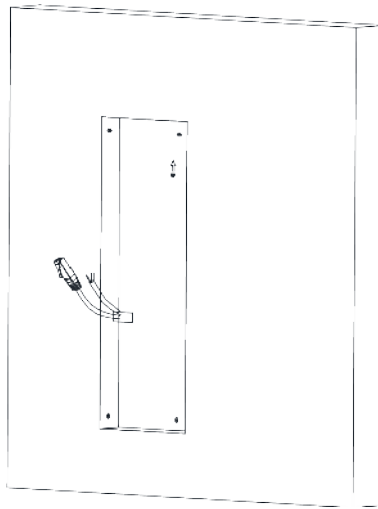
Figure 4-36 Gang Box

### Note

- The dimension of one-module gang box is: 338.8(W)×134(H)×56(D) mm.
  - The dimensions above are for reference only. The actual size can be slightly different from the theoretical dimension.
- 

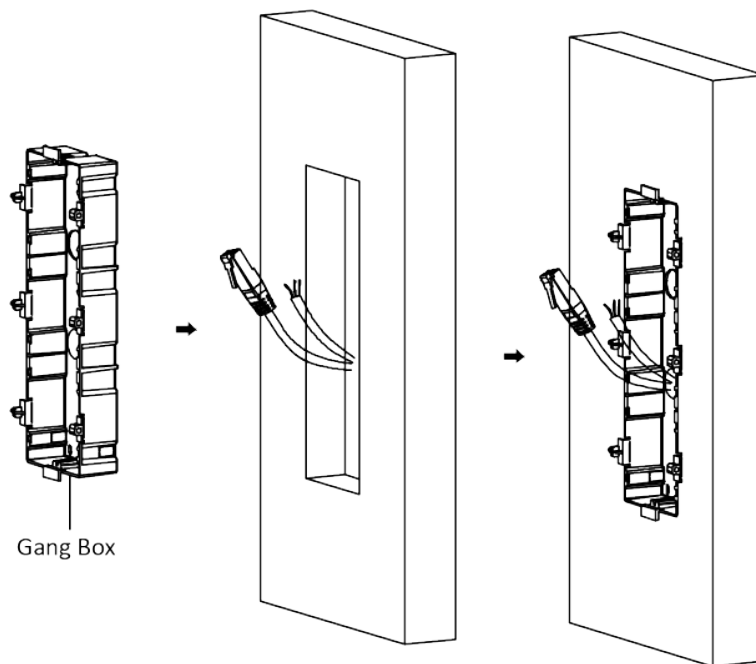
### Steps

1. Cave the installation hole, and pull the cable out. The suggested dimension of installation hole is 321.8(W)×108(H)×45.5(D) mm. The suggested length of cables left outside is 270 mm.



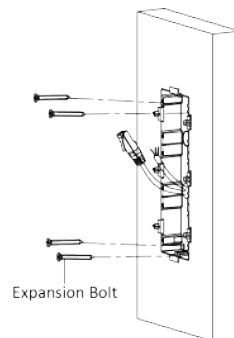
**Figure 4-37 Cave the Installation Hole**

2. Select a cable entry and remove the plastic sheet.
3. Mark the gang box screw holes on the wall.
  - 1) Route the cables through the gang box hole.
  - 2) Insert the gang box into the installation hole.
  - 3) Mark the gang box screw holes' position with a marker, and take out the gang box.



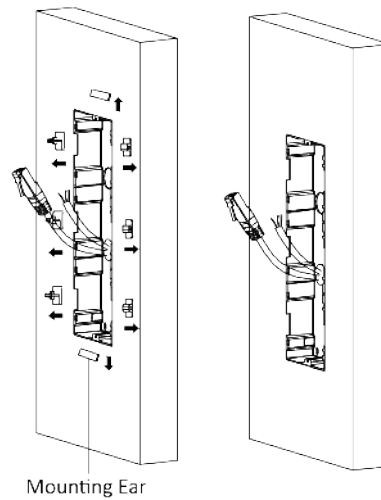
**Figure 4-38 Mark the Screw Holes**

4. Drill 4 holes according to marks on the wall, and insert the expansion sleeves into the screw holes. The suggested size of hole is 6 (diameter) × 45 (depth) mm.
5. Fix the gang box with 4 expansion bolts.



**Figure 4-39 Fix the Gang Box**

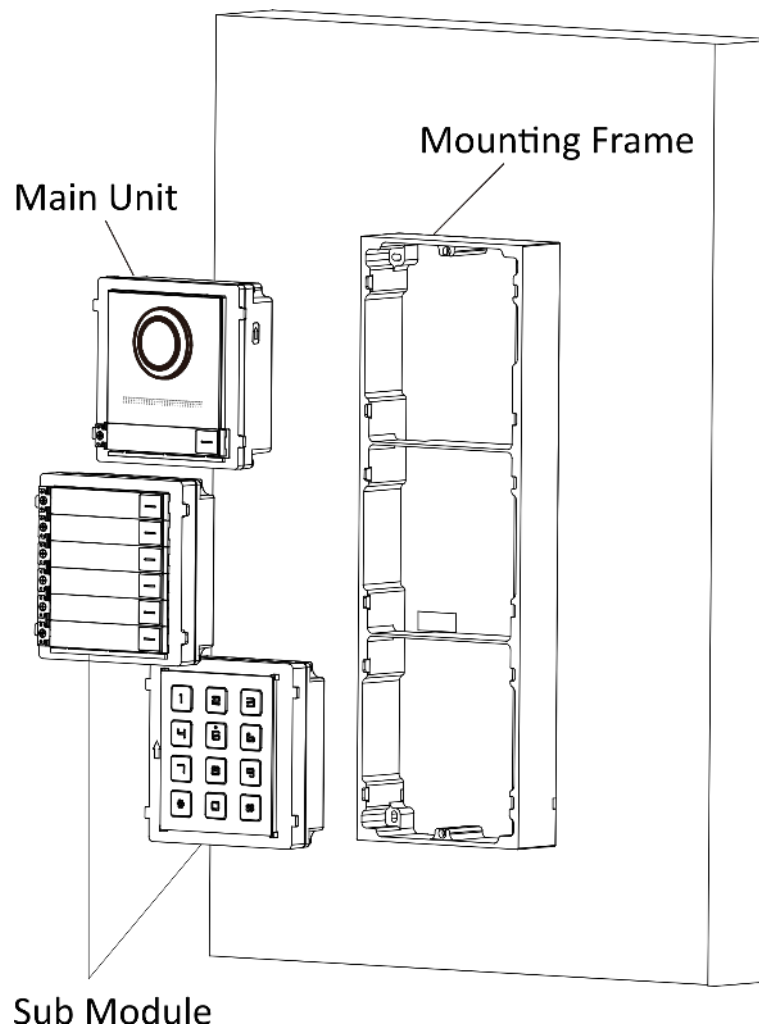
6. Fill the gap between the gang box and wall with concrete. Remove the mounting ears with tool after concrete is dry.



**Figure 4-40 Remove the Mounting Ears**

**7. Connect cables and insert the modules.**

- 1) Connect Cable 1 and one end of Cable 2 to the corresponding interfaces of the main unit, then insert the main unit into the upper grid.
- 2) Connect the other end of Cable 2 to the input interface of Sub Module 1. Connect one end of Cable 3 to the output interface of Sub Module 1 and insert it into the middle grid.
- 3) Connect the other end of Cable 3 to the input interface of Sub Module 2. Insert it into the bottom grid.



**Figure 4-41 Connect Cables and Insert Modules**

---

 **Note**

Cable 1 refers to the cables pulled out from the wall that connected to the main unit. Cable 2 and Cable 3 refer to the module-connecting line in the accessory package.

- 
8. Fix the cover and the main unit with 2 socket head cap screws by using a hexagon wrench (supplied).

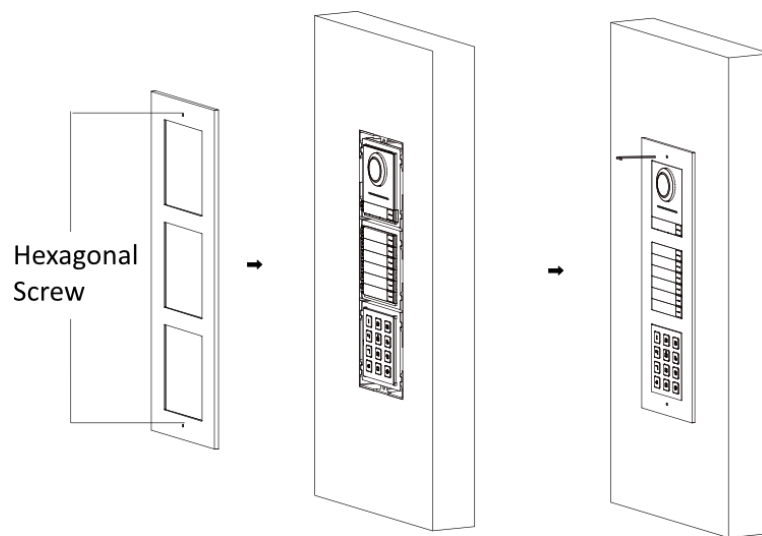


Figure 4-42 Fix the Cover

## 4.4 More-Than-Three Module Installation

### 4.4.1 More-than-Three Module Surface Mounting

#### Before You Start

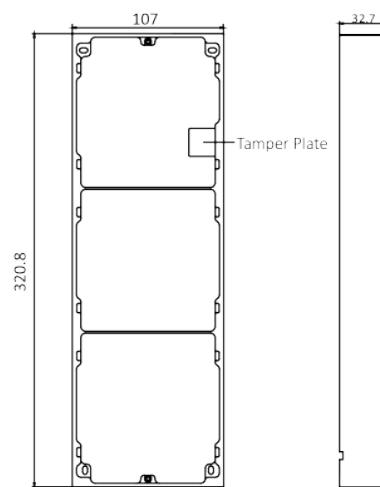


Figure 4-43 Mounting Frame

---

### Note

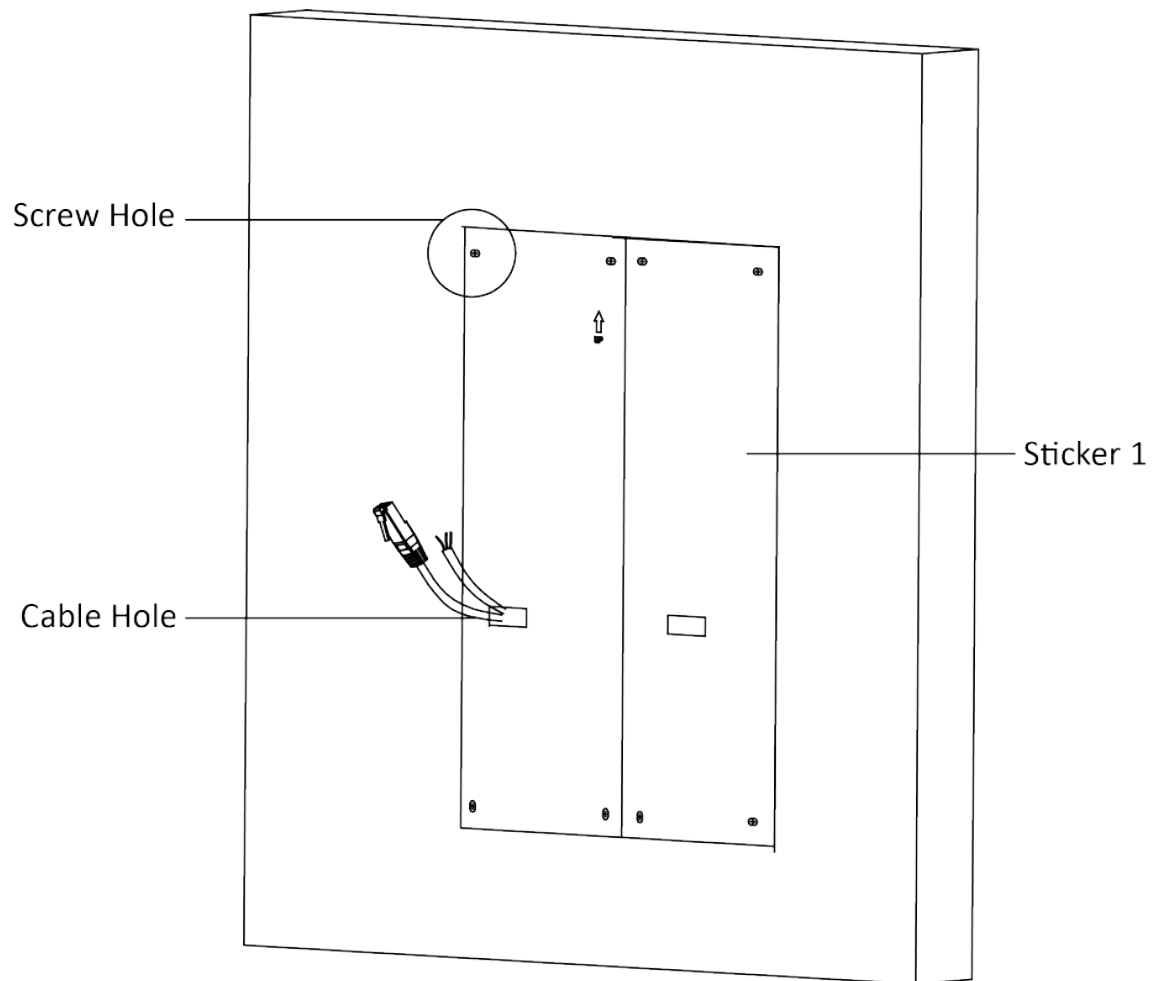
- It takes two three-module mounting frames. The dimension of three-module mounting frame (W × H × D) is: 320.8 mm × 107 mm × 32.7 mm.
  - The dimensions above are for reference only. The actual size can be slightly different from the theoretical dimension.
- 

### Steps

1. Paste two Sticker 1 onto the wall. Make sure the stickers are placed horizontally via measuring with the gradienter.
  2. Drill 8 holes according to the screw holes on the sticker.
- 

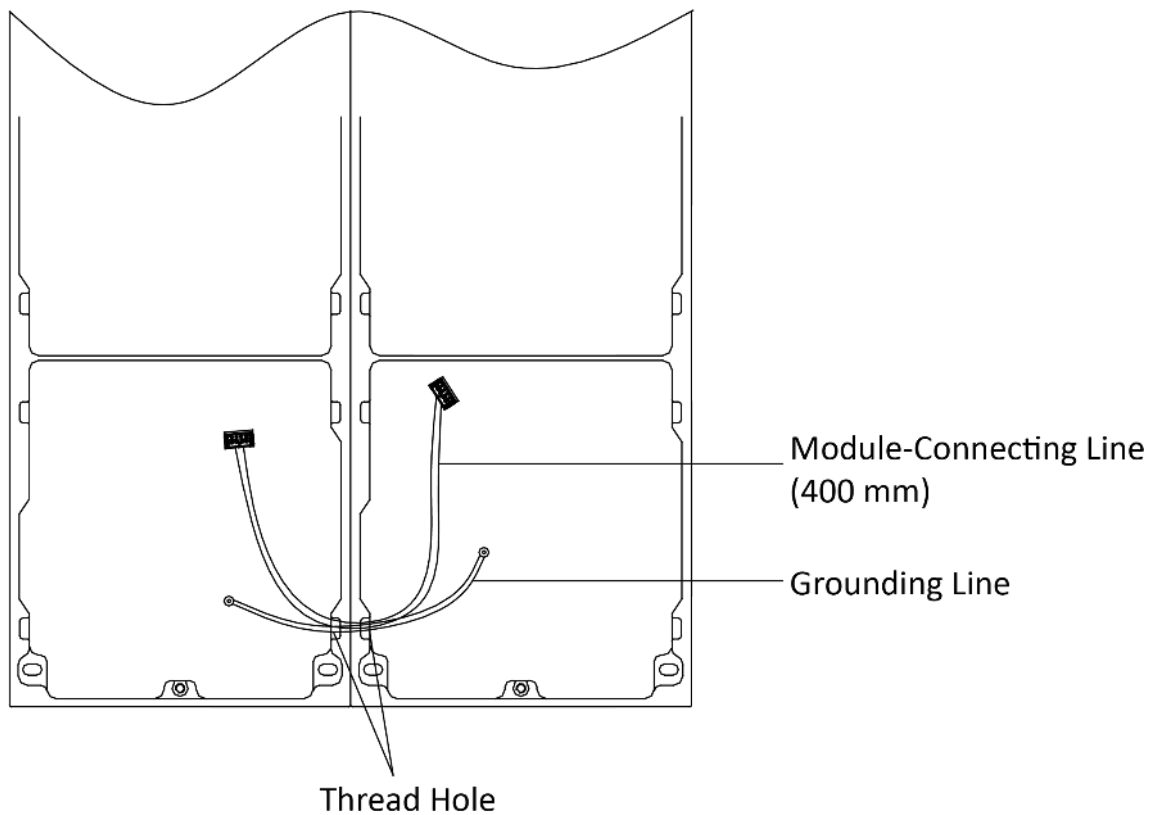
### Note

- The suggested size of hole is 6 (diameter) × 25 (depth) mm.
  - The suggested length of cables left outside is 270 mm.
- 
3. Pull out the cable through the cable hole of the left sticker.



**Figure 4-44 Drill Screw Holes**

4. Remove the stickers and insert the expansion sleeves into the screw holes.
5. Thread the module-connecting line (400 mm) and grounding line across the thread hole of both frames.



**Figure 4-45 Place the Grounding Line and Module-Connecting Line**

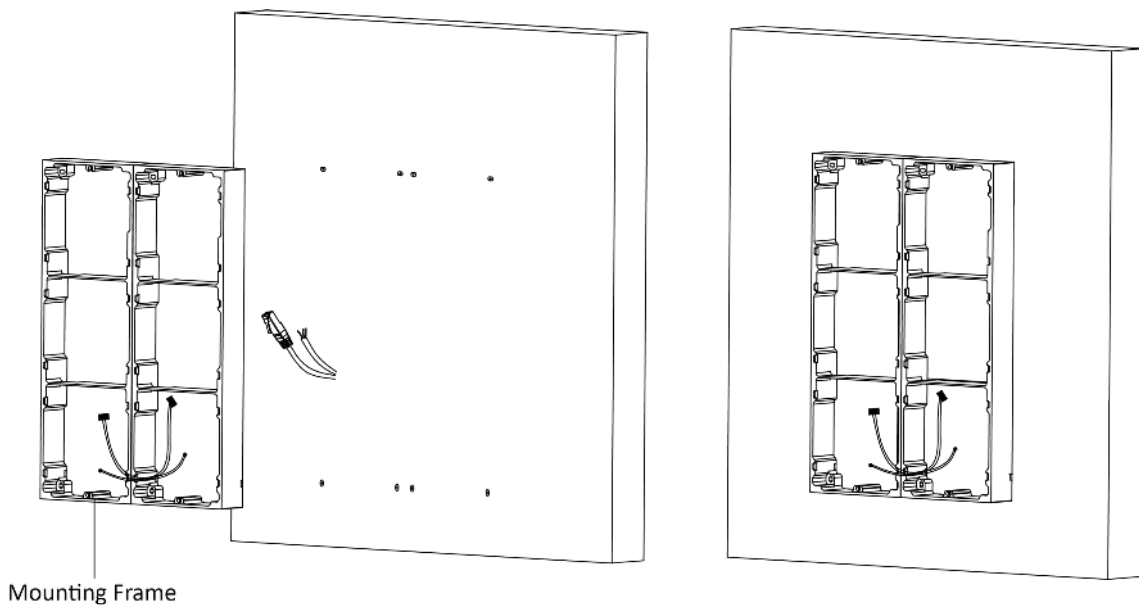
---

**Note**

- There are 6 module-connecting lines in the package: 190 mm × 4 and 400 mm × 2.
- Take the 400 mm module-connecting line for this step.
- The green-yellow line in the package is for grounding.

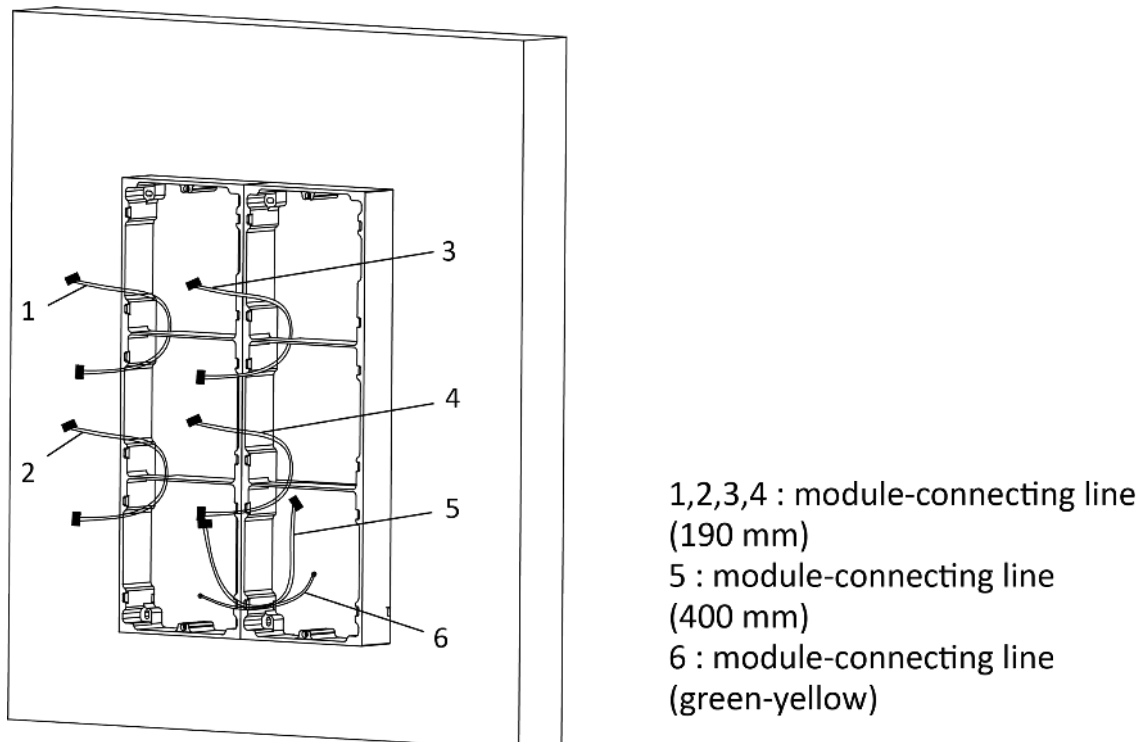
---

**6.** Fix the mounting frame onto the wall with 8 expansion bolts.



**Figure 4-46 Fix the Mounting Frame**

7. Pass the main unit connecting line across the thread hole to the top grid of the left frame. Thread the module-connecting line (190 mm) across the thread hole of the frame. The lines should be placed as shown below.



**Figure 4-47 Placement of Lines**

**8. Connect the cables.**

- 1) Connect the cables from the wall and module-connecting line 1 to the corresponding interfaces of the main unit, then place the main unit into the upper grid.
- 2) Connect the other end of the module-connecting line 1 to the input interface of the sub module. Connect all sub modules via module-connecting lines.
- 3) Organize the cable with cable tie in the package. The suggested cable connection picture as shown below.

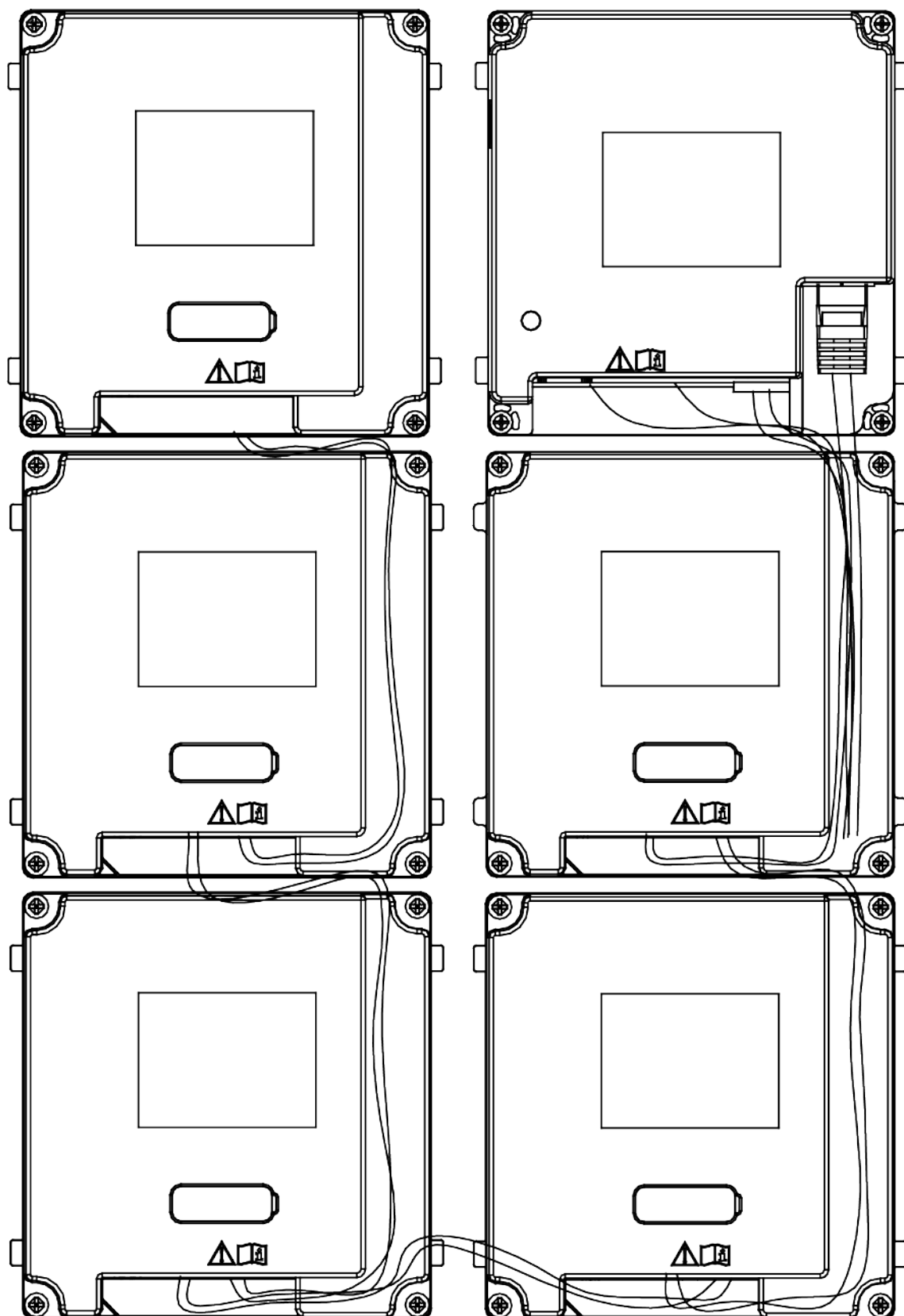
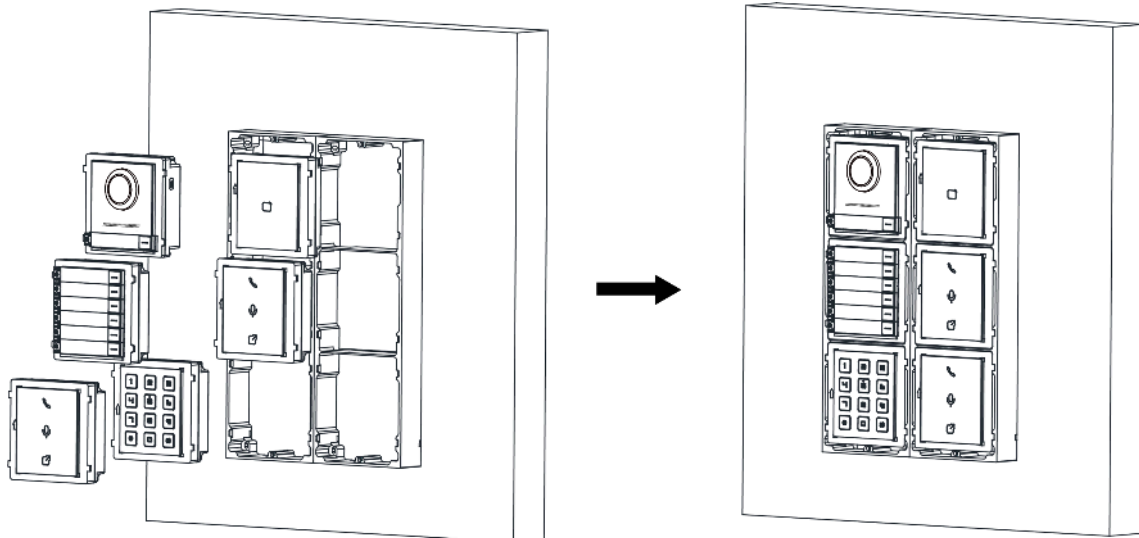


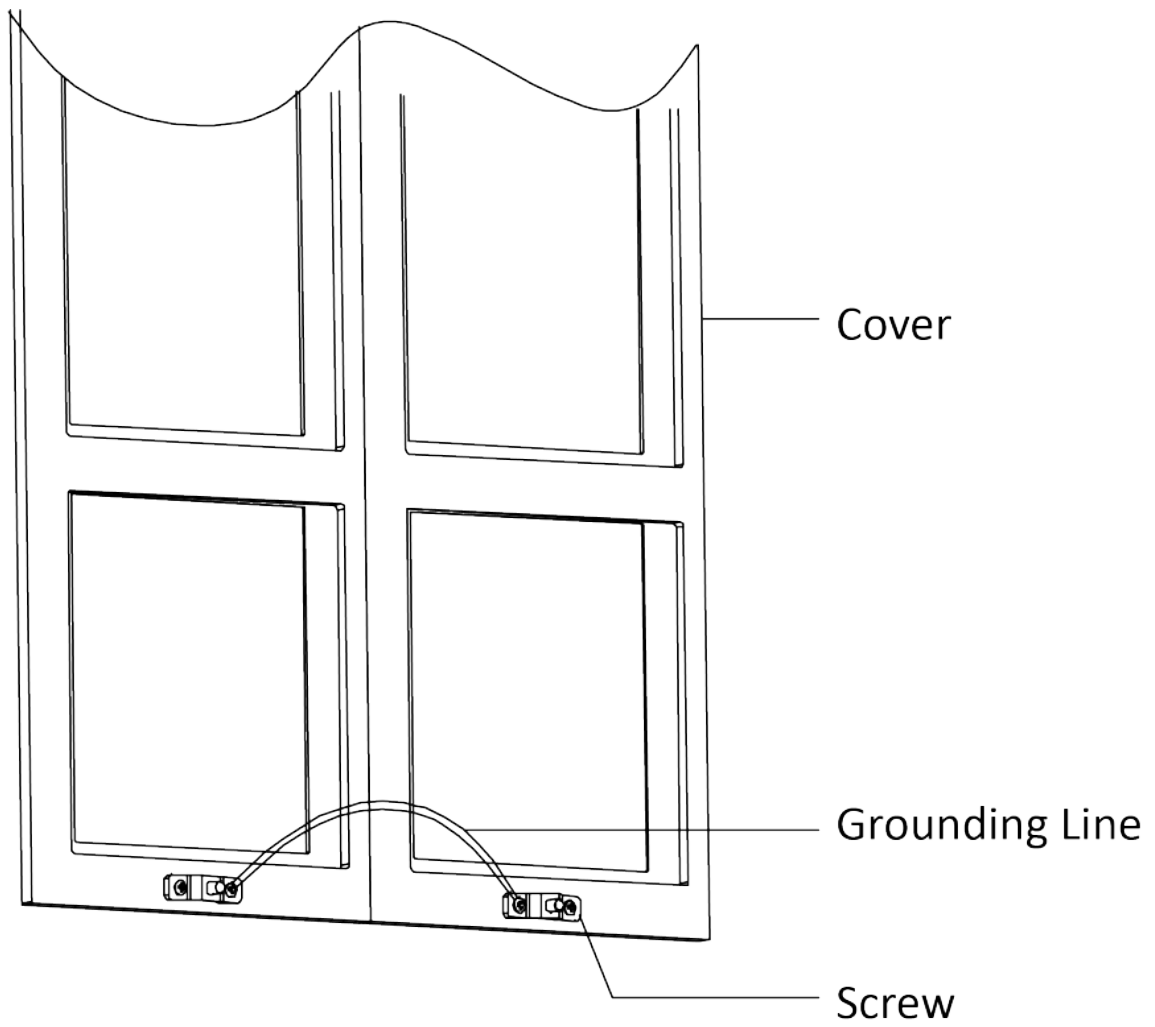
Figure 4-48 Line Connection Effect Picture

9. Insert the modules into the frame after wiring. The main unit must be placed in the top grid on the left.



**Figure 4-49 Insert the Modules**

10. Pull the grounding line out and fixed its two end to the screw on the cover.



**Figure 4-50 Connect the Grounding Line to the Cover**

- 11.** Use the hexagon wrench in the package to fix the cover onto the frame.

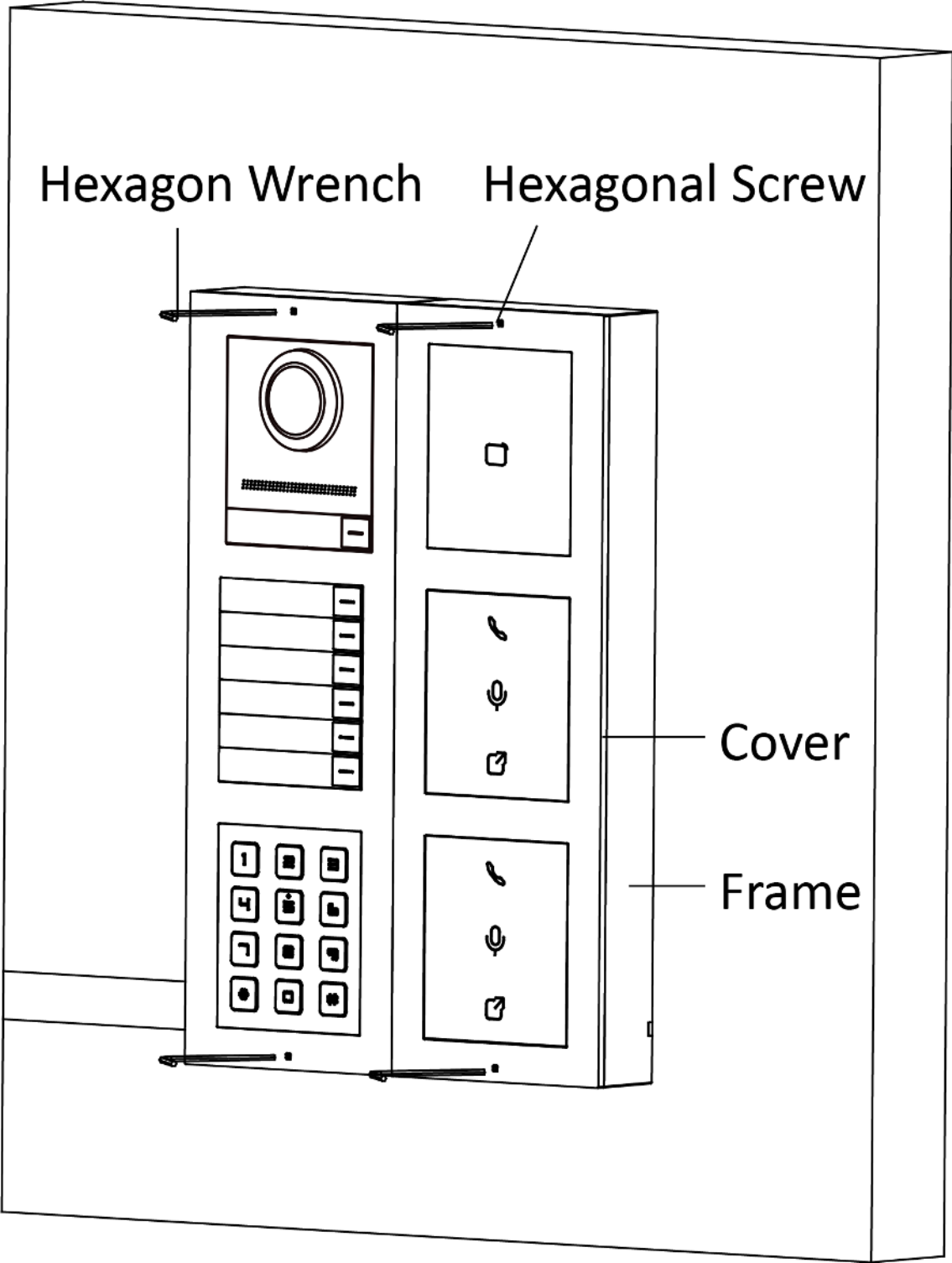


Figure 4-51 Fix the Cover

4.4.2 More-Than-Three Module Flush Mounting

Before You Start

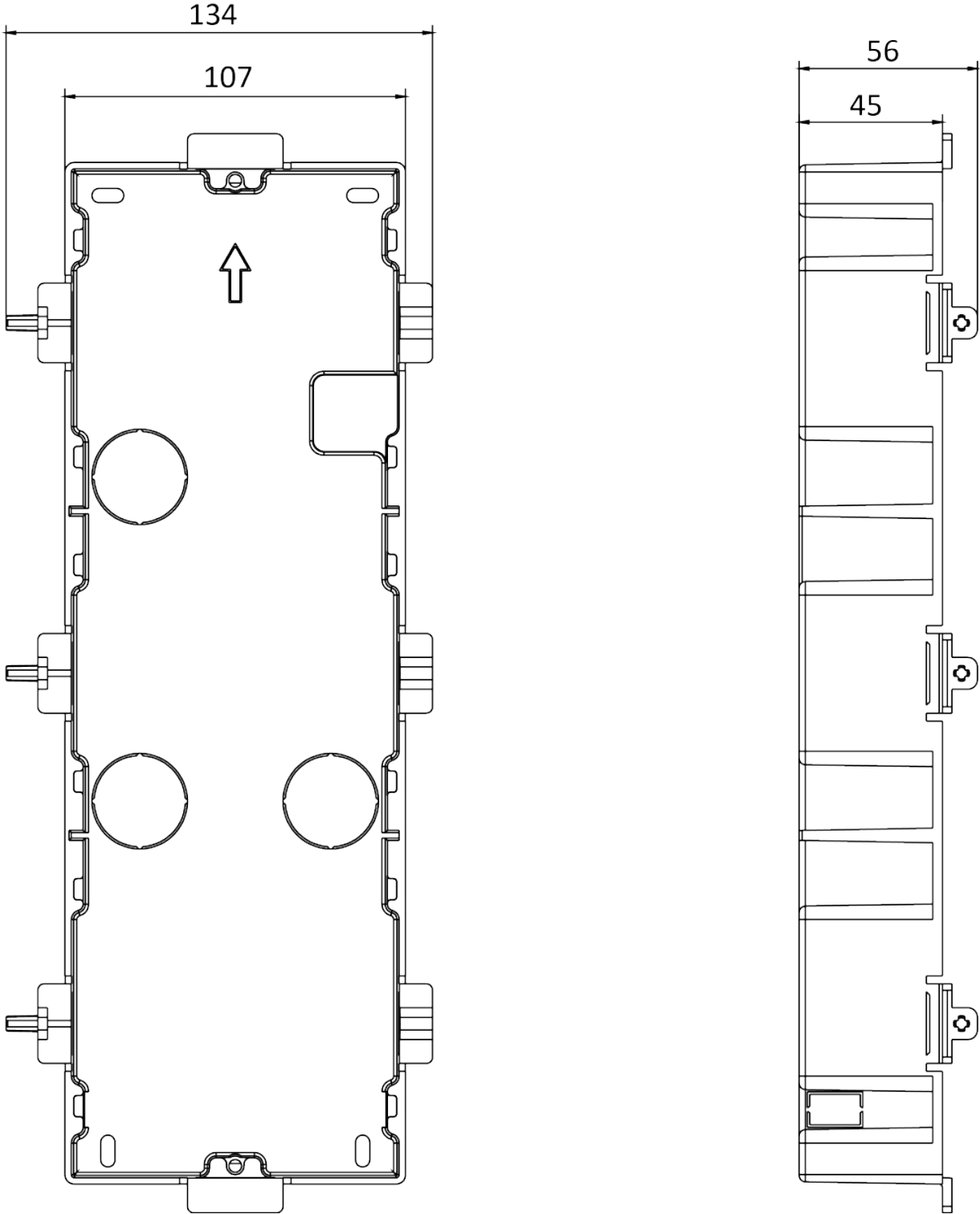


Figure 4-52 Gang Box

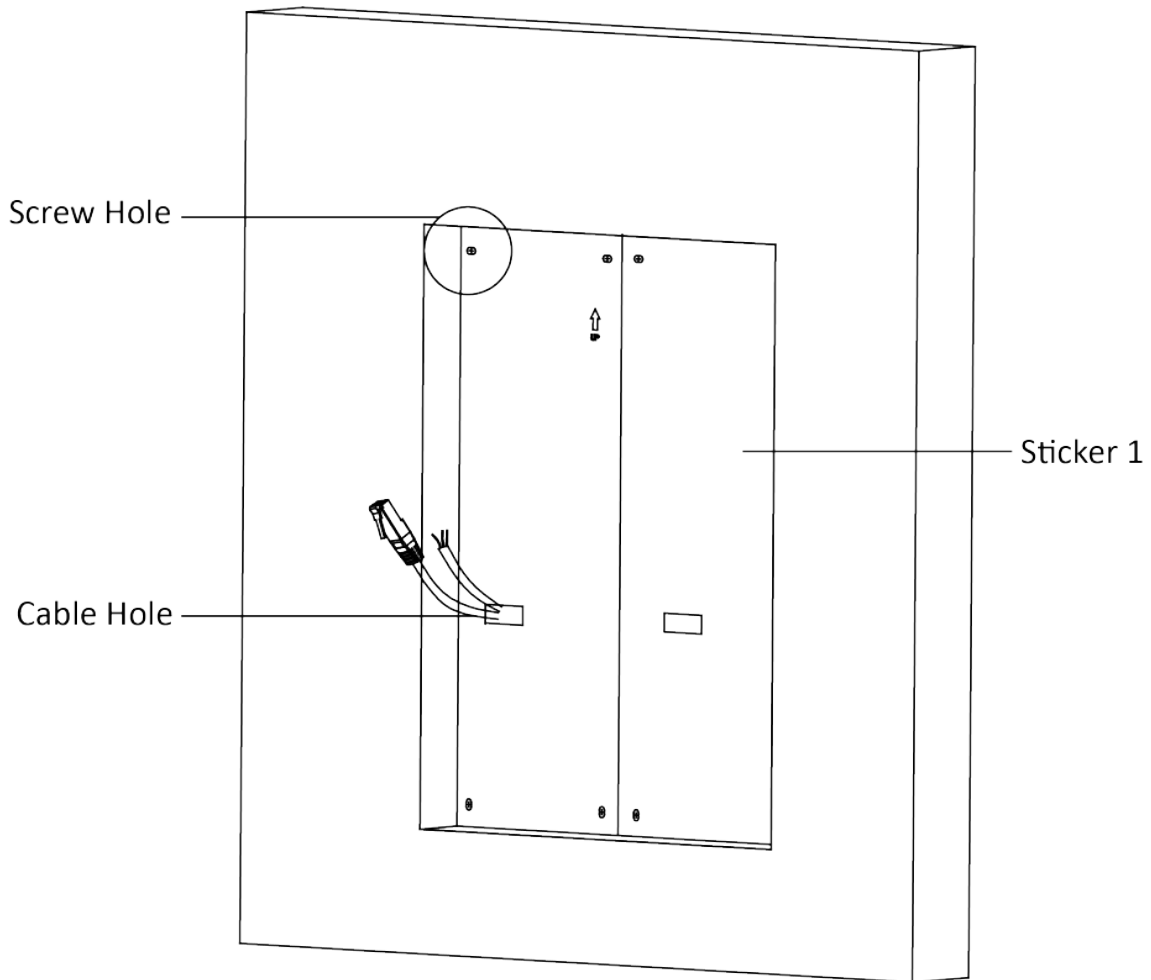
 **Note**

It takes two three-module gang boxes. The dimension of the gang box is: 338.8 (W) × 134 (H) × 56 (D) mm. The dimension is for reference only.

---

**Steps**

1. Drill the installation hole, and pull the cable out. The suggested dimension of installation hole is 321.8 (W) × 315 (H) × 45.5 (D) mm. The suggested length of cables left outside is 270 mm.



**Figure 4-53 Cave the Installation Hole**

2. Connect two gang boxes as below.

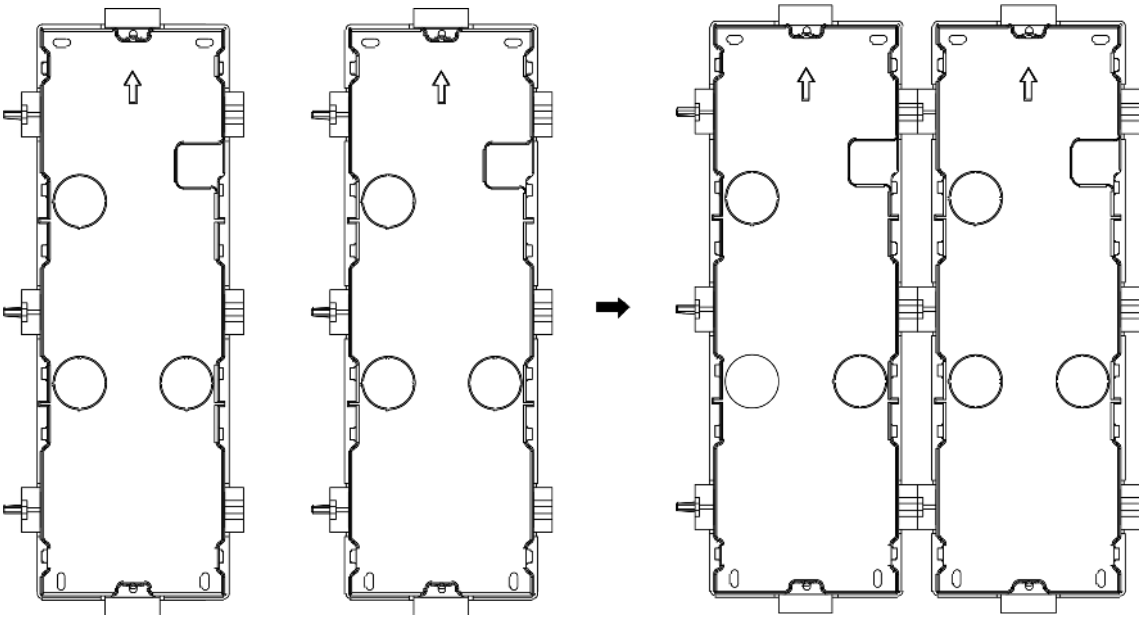


Figure 4-54 Connect Two Gang Boxes

- 3. Select a cable entry and remove the plastic sheet.
- 4. Remove the plastic sheets on the side of the gang boxes (shown as 1 and 2) below:

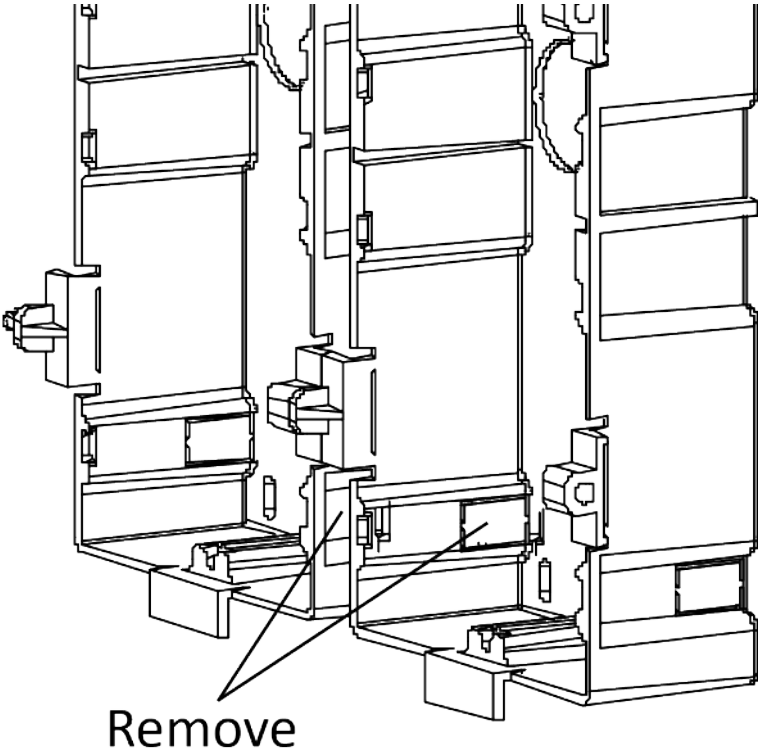
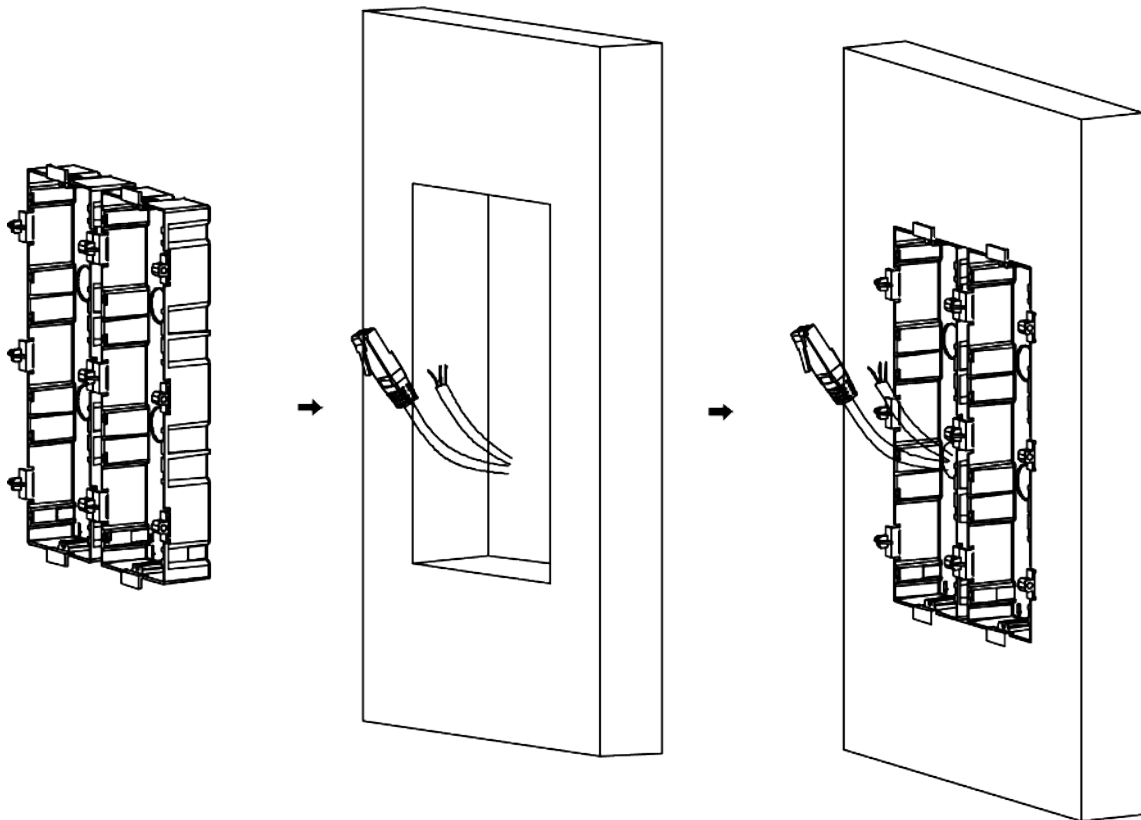


Figure 4-55 Remove the Plastic Sheets

5. Mark the gang box screw holes on the wall.
  - 1) Route the cables through the gang box hole.
  - 2) Insert the gang box into the installation hole.
  - 3) Mark the gang box screw holes' position with a marker, and take out the gang box.



**Figure 4-56 Mark the Screw Holes**

6. Drill 8 holes according to the marks on the wall, and insert the expansion sleeves into the screw holes. The suggested size of hole is 6 (diameter) × 45 (depth) mm.
7. Fix the gang boxes with 8 expansion bolts.

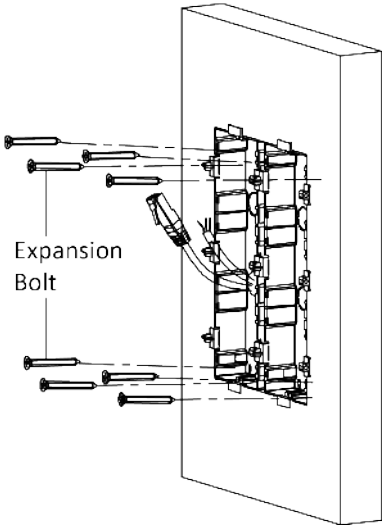


Figure 4-57 Fix the Gang Boxes

8. Fill the gap between the gang box and wall with concrete. Remove the mounting ears with tool after concrete is dry. Route the grounding line through the cable entries.

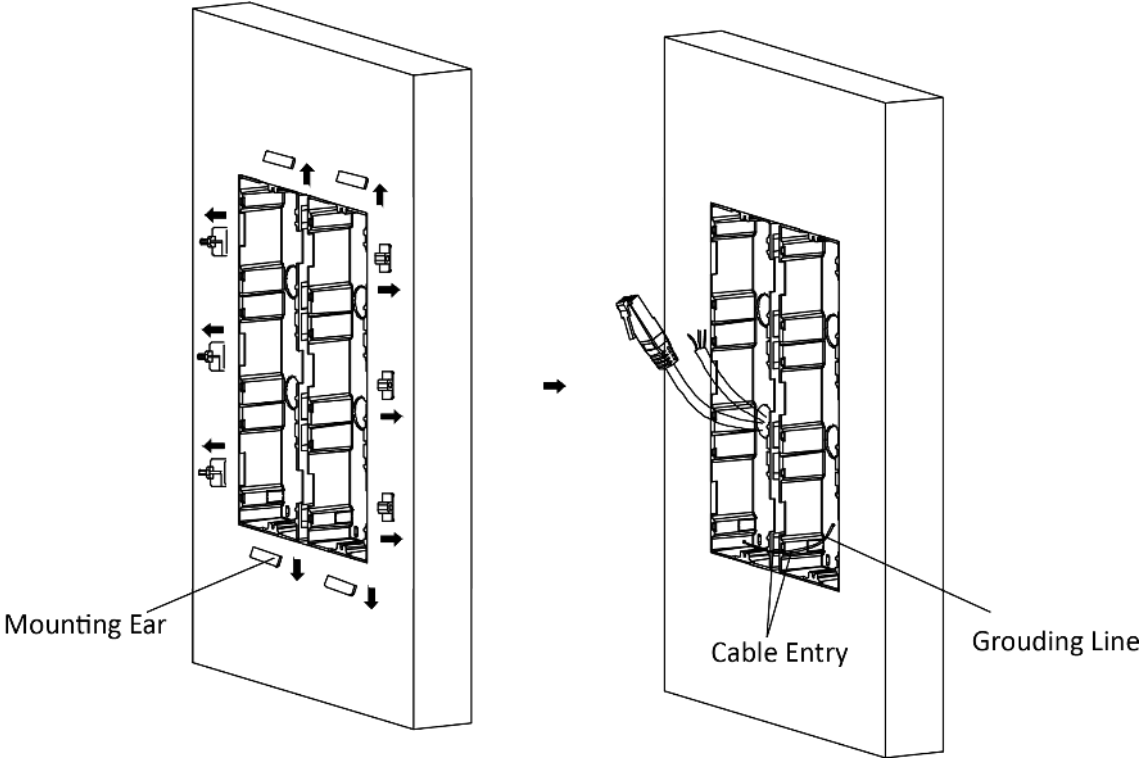
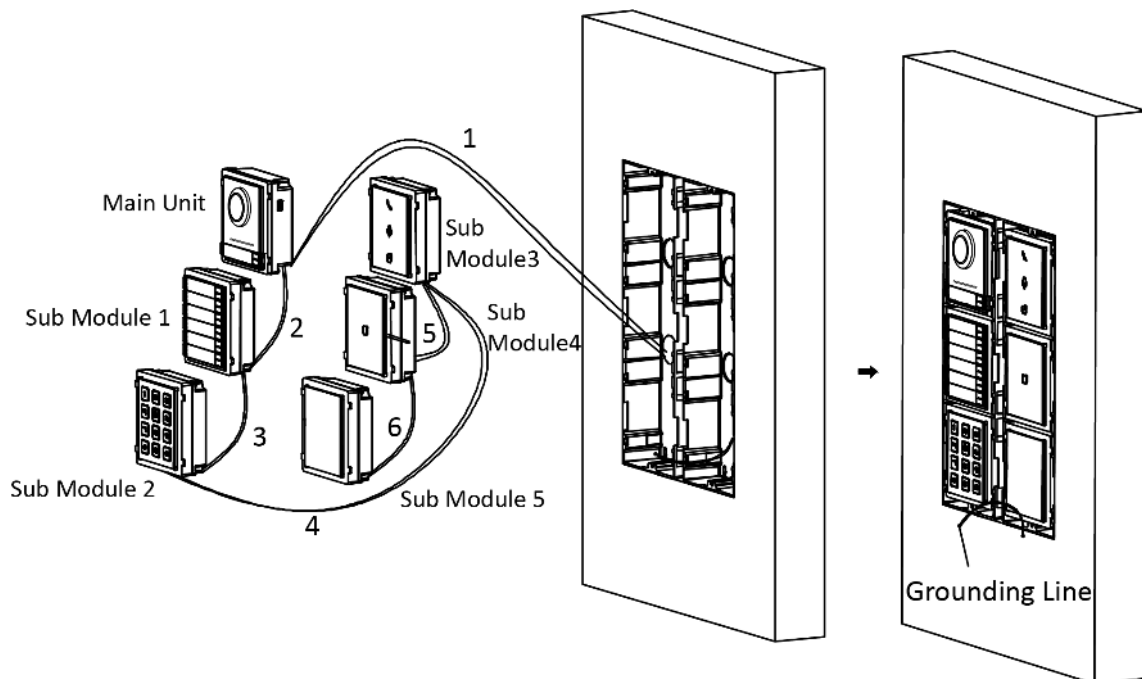


Figure 4-58 Remove the Mounting Ears

 **Note**

The green-yellow line in the package is for grounding.

9. Connect cables and insert the modules.
  - 1) Connect Cable 1 and one end of Cable 2 to the corresponding interfaces of the Main Unit, then place the Main Unit into the upper grid of the left gang box.
  - 2) Connect the other end of Cable 2 to the input interface of Sub Module 1. Connect one end of Cable 3 to the output interface of Sub Module 1 and insert it into the middle grid of the left gang box.
  - 3) Finish the wiring and inserting according to the cable number and the position shown as below.



**Figure 4-59 Install Mounting Frame**

The cables connect to each module shown as below.

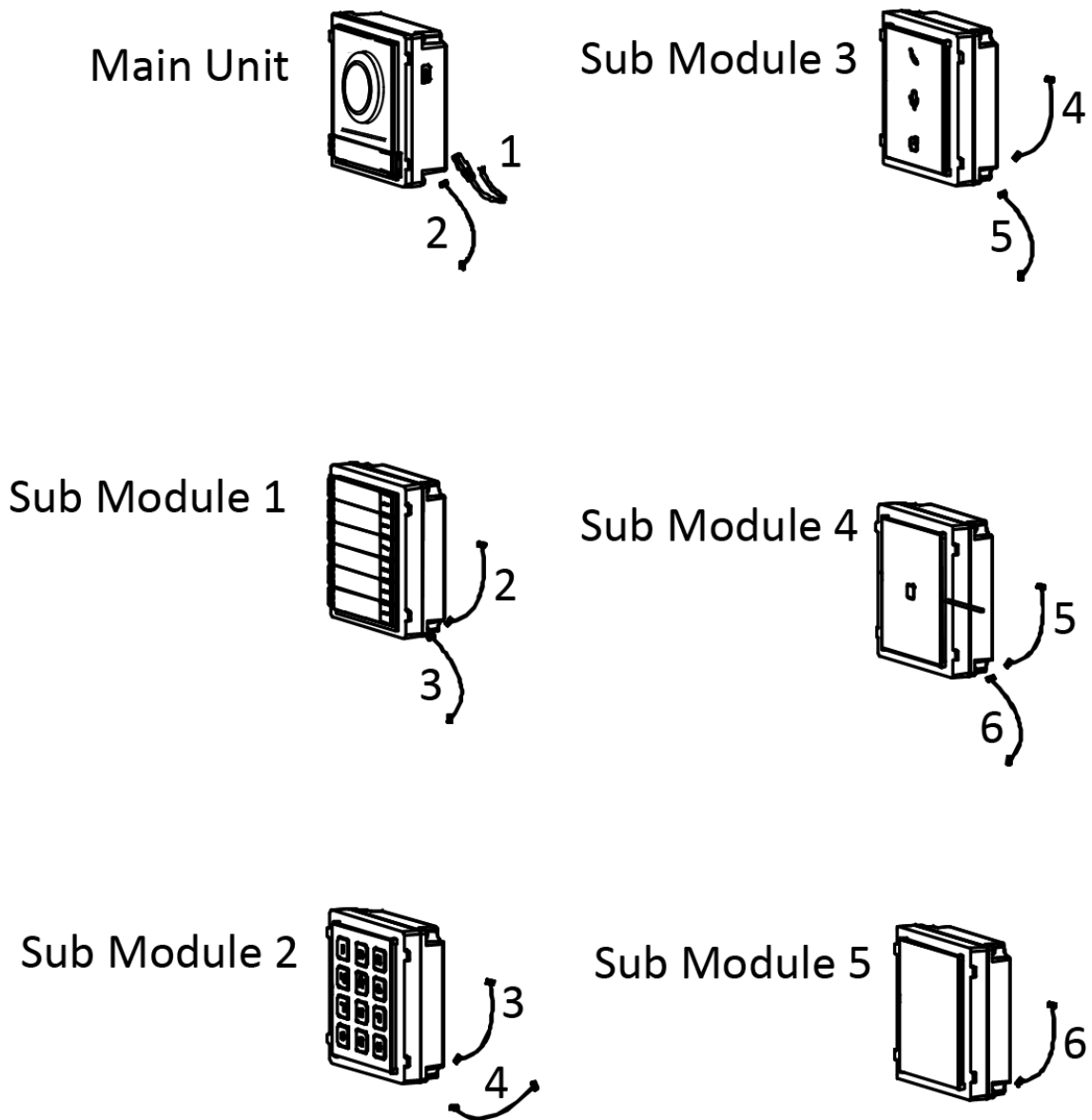


Figure 4-60 Cables Connection

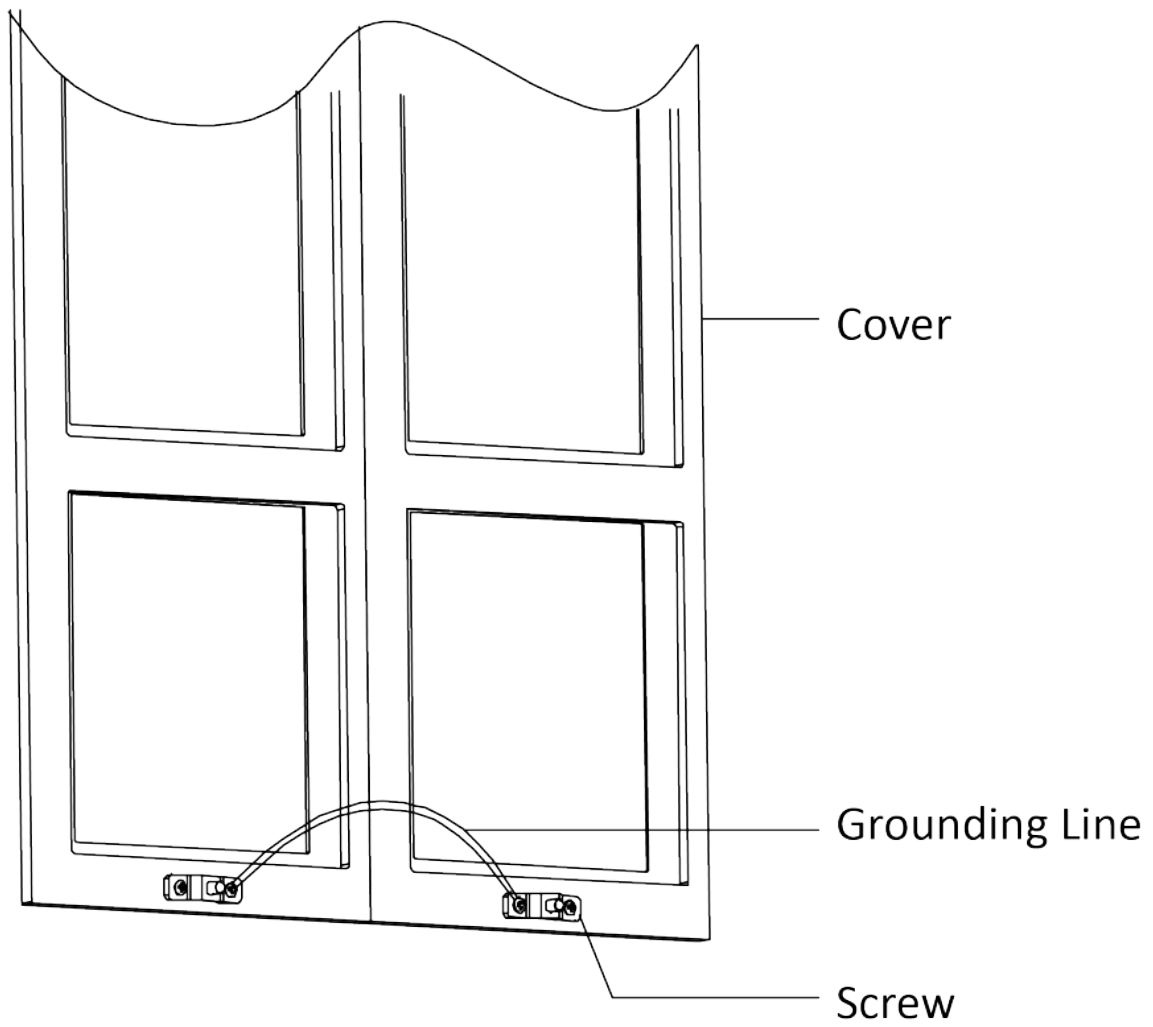
---

 **Note**

- Cable 2,3,5 and 6 are the module-connecting lines (190 mm) in the package.
- Cable 4 is the module-connecting line (400 mm) in the package.
- Main unit must be put in the top grid.

---

**10.** Pull the grounding line out and fixed its two end to the screw on the cover.



**Figure 4-61 Connect the Grounding Line to the Cover**

- 11.** Fix the cover with 2 socket head cap screws by using a hexagon wrench (supplied).

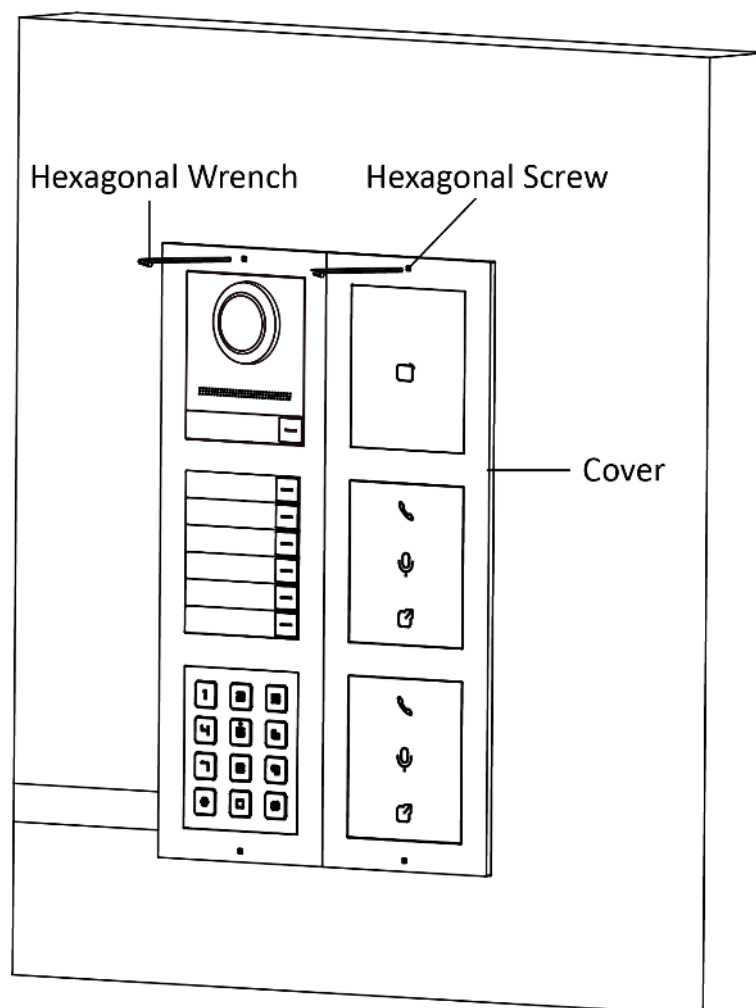


Figure 4-62 Fix the Cover

## Chapter 5 Activation

### 5.1 Activate via SADP

SADP is a tool to detect, activate and modify the IP address of the device over the LAN.

#### Before You Start

- Get the SADP software from the supplied disk or the official website <http://www.hikvision.com/en/>, and install the SADP according to the prompts.
- The device and the PC that runs the SADP tool should be within the same subnet.

The following steps show how to activate a device and modify its IP address. For batch activation and IP addresses modification, refer to *User Manual of SADP* for details.

#### Steps

1. Run the SADP software and search the online devices.
2. Find and select your device in online device list.
3. Input new password (admin password) and confirm the password.



#### Caution

**STRONG PASSWORD RECOMMENDED**-We highly recommend you create a strong password of your own choosing (using a minimum of 8 characters, including upper case letters, lower case letters, numbers, and special characters) in order to increase the security of your product. And we recommend you reset your password regularly, especially in the high security system, resetting the password monthly or weekly can better protect your product.

---

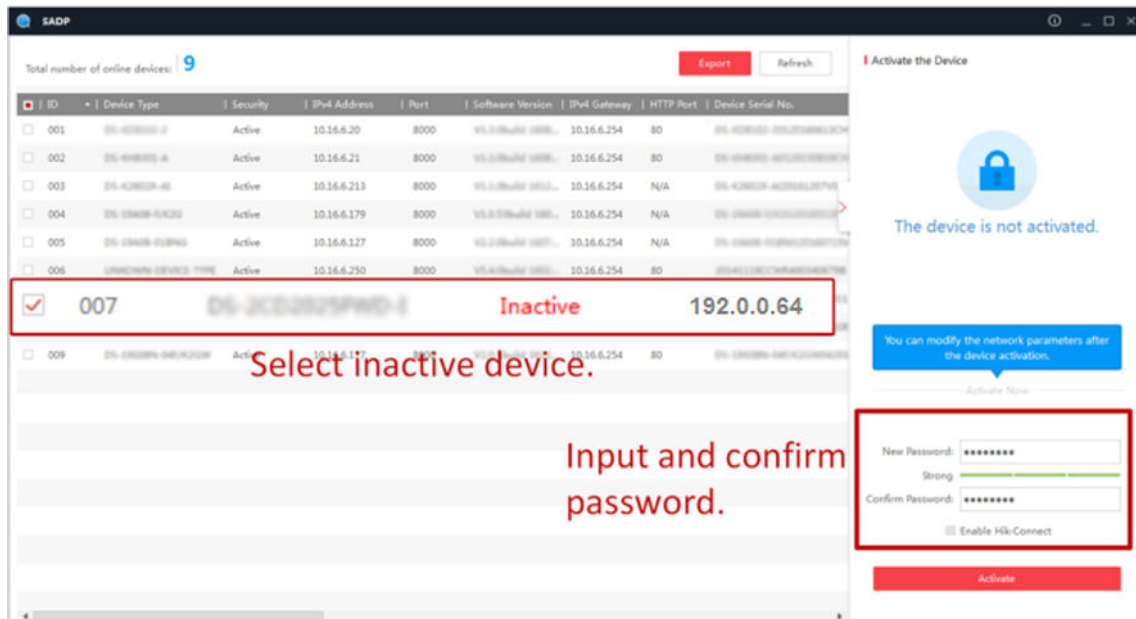


#### Note

Characters containing admin and nimda are not supported to be set as activation password.

---

4. Click **Activate** to start activation.



Status of the device becomes **Active** after successful activation.

## 5. Modify IP address of the device.

- 1) Select the device.
- 2) Change the device IP address to the same subnet as your computer by either modifying the IP address manually or checking **Enable DHCP**.
- 3) Input the admin password and click **Modify** to activate your IP address modification.

## 5.2 Activate via Web Browser

You can activate the device via the web browser.

### Steps

1. Enter the device default IP address (192.0.0.65) in the address bar of the web browser, and press **Enter**.

#### Note

Make sure the device IP address and the computer's should be in the same IP segment.

2. Create a new password (admin password) and confirm the password.

#### Caution

- The password should be 8 to 16 characters.
- The password should contain at least 2 of the following types: digits, lowercase letters, uppercase letters and special characters.

- Do not contain following characters in the password: the user name, 123, admin (case-insensitive), 4 or more continuously increasing or decreasing digits, or 4 or more consecutively repeated characters.
- The password strength of the device can be automatically checked. In order to increase the security of your product, we highly recommend you change the password of your own choosing. And we recommend you change your password regularly, especially in the high security system, changing the password monthly or weekly can better protect your product. Proper configuration of all passwords and other security settings is the responsibility of the service provider and/or end-user.
- (If the device supports AP mode, after the admin password is changed, the password of AP hotspot will be changed simultaneously.)

---

**3.** Click **Activate**.

**4.** Edit the device IP address. You can edit the IP address via the SADP tool, the device, and the client software.

## Chapter 6 Operation via PC Web

### 6.1 Login Web Browser

You can log into the Web browser for device configuration.

#### Steps

1. Enter the device IP address in the address bar of the web browser and press **Enter** to enter the login page.
2. Enter the device user name and the password. Click **Login** to login to the page.

### 6.2 Forget Password

If you forget the password when logging in, you can change the password by email address or security questions.

On the login page, click **Forget Password**.

Select **Verification Mode**.

#### Security Question Verification

Answer the security questions.

#### E-mail Verification

1. Export the QR code and send it to ***pw\_recovery@hikvision.com*** as attachment.
2. You will receive a verification code within 5 minutes in your reserved email.
3. Enter the verification code into the verification code field to verify your identification.

Click **Next**, create a new password and confirm it.

### 6.3 Overview

You can view the live video of the device, real-time event, linked devices, person information, network status, basic information, and device capacity.

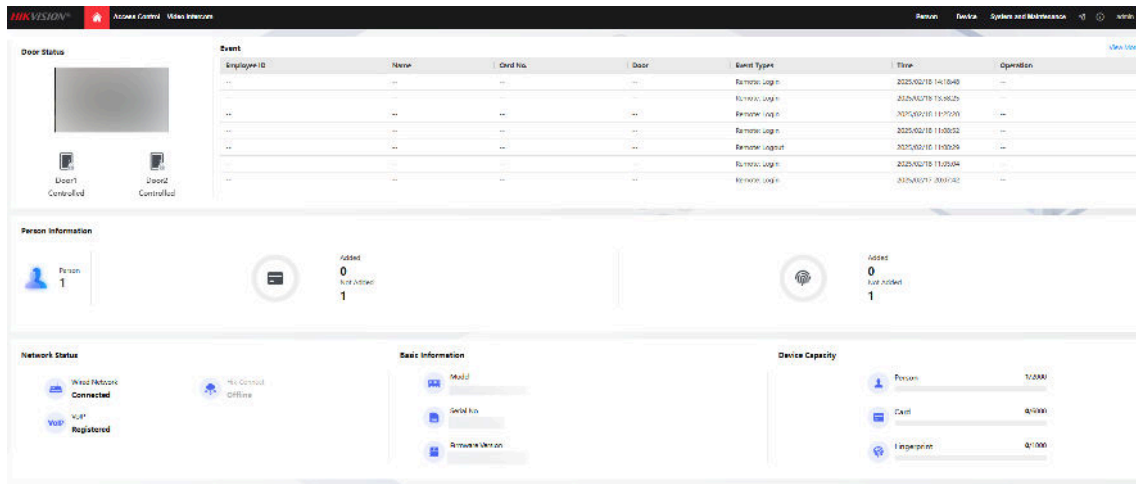


Figure 6-1 Overview Page

## Function Descriptions:

### Door Status

Click to view the device live view.



Set the volume when starting live view.



If you adjust the volume when starting two-way audio, you may hear a repeated sounds.



You can capture image when starting live view.



Select the streaming type when starting live view. You can select from the main stream and the sub stream.



Full screen view.



The door status is open/closed/remaining open/remaining closed.

### Controlled Status

You can select open/closed/remaining open/remaining closed status according to your actual needs.

### Real-Time Event

You can view the event Employee ID, Name, Card No., Event Type, Time, and Operation. You can also click **View More** to enter the search conditions, including the event type, employee ID, the

name, the card No., the time, the unit. Click **Search**. The results will be displayed on the right panel.

### Person Information

You can view the added and not added information of person face, fingerprint and card.

### Network Status

You can view the connected and registered status of wired network, VoIP and cloud service.

### Basic Information

You can view the model, serial No. and firmware version.

### Device Capacity

You can view the Person, Face, Card, Fingerprint and Event capacity.

## 6.4 Person Management

Click **Add** to add the person's information, including the basic information, certificate, authentication and settings.

### Add Basic Information

Click **Person** → **+Add** to enter the Add Person page.

Add the person's basic information, including the employee ID, the person's name, floor No., room No., etc.

Click **Save** to save the settings.

### Set Validity Period

Click **Person** → **+Add** to enter the Add Person page.

Enable **Long-Term Effective User**, or set **Start Time** and **End Time** and the person can only has the permission within the configured time period according to your actual needs.

Click **Save** to save the settings.

### Authentication Settings

Click **Person** → **+Add** to enter the Add Person page.

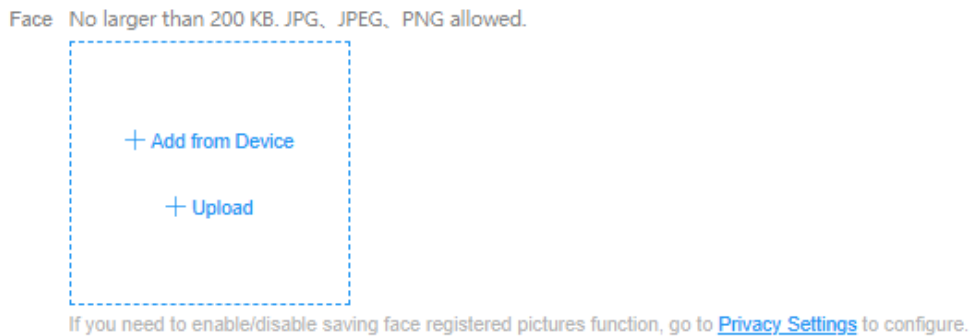
Set the authentication type. You can choose from face, cards, fingerprint and pin configuration.

Click **Add** to add the person. Or you can click **Save and Continue** to add the next person.

### Add Face Picture

Click **Person** → **+Add** to enter the Add Person page.

Click **+** to upload a face picture from the local PC or from device.



**Figure 6-2 Add Face Picture**

---

 **Note**

The picture format should be JPG or JPEG or PNG, and the size should be less than 200 K.

---

## Add Card

Click **Person** → **+Add** to enter the Add Person page.

Click **+ Add Card**, enter the **Card No.** and select the **Property**, and click **OK** to add the card.

---

 **Note**

Up to 5 cards can be added.

---

## Add Fingerprint

Click **Person** → **+Add** to enter the Add Person page.

Click **+ Add Fingerprint**, and press your finger on the fingerprint module of the device to add your fingerprint.

---

 **Note**

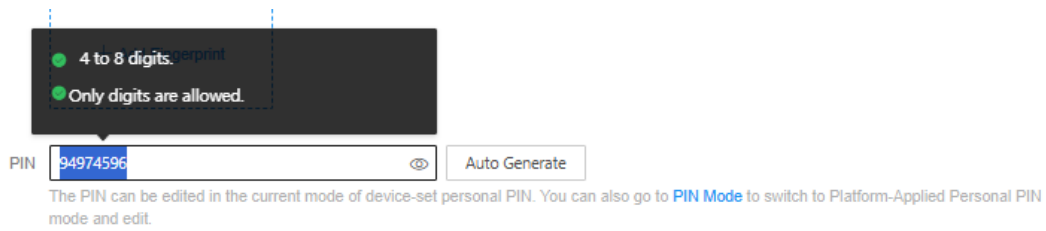
Up to 10 fingerprints can be added.

---

## Generate PIN

Click **Person** → **+Add** to enter the Add Person page.

You can click **Auto Generate** to get a random pin.

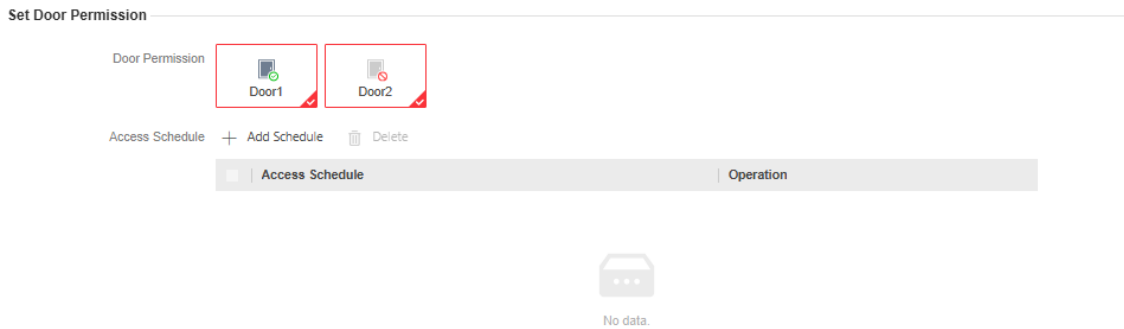


**Figure 6-3 PIN**

Click **Add** to add the person. Or you can click **Save and Continue** to add the next person.

## Set Door Permission

You can add schedule and door permission for each person.



---

### Note

Just select an access schedule from your saved template and click **OK**.

---

Click **Add** to add the person. Or you can click **Save and Continue** to add the next person.

## 6.5 Search Event

Click **Access Control** → **Event Search** to enter the page.

Event Types		No.	Employee ID	Name	Card No.	Event Type	Time	Operation
Access Control Event	Employee ID	1	--	-	--	Device Powering On	2022-07-08 09:32:04.00:00	-
	Name	2	--	-	--	Door Locked	2022-07-08 09:32:04.00:00	-
	Card No.	3	--	-	--	Device Tempered	2022-07-08 09:32:07.00:00	-
	Start Time	4	--	-	--	Authentication via Proximity Paired	2022-07-08 09:32:21.00:00	-
	End Time	5	--	-	--	The password mismatches	2022-07-08 09:34:24.00:00	-
		6	--	-	--	The password mismatches	2022-07-08 10:34:54.00:00	-
		7	--	-	--	Network Reconnected	2022-07-08 10:35:05.00:00	-
		8	--	-	--	Network Recovered	2022-07-08 10:35:08.00:00	-
		9	--	-	--	Local Login	2022-07-08 10:36:05.00:00	-
		10	--	-	--	Remote Login	2022-07-08 10:37:21.00:00	-
		11	--	-	--	Remote Login	2022-07-08 10:32:50.00:00	-
		12	--	-	--	Remote Login	2022-07-08 10:34:59.00:00	-
		13	--	-	--	Remote Login	2022-07-08 10:36:48.00:00	-
		14	--	-	--	Remote Login	2022-07-08 10:25:30.00:00	-
		15	--	-	--	Remote Login	2022-07-08 10:37:30.00:00	-
		16	--	-	--	Local Login	2022-07-08 10:40:55.00:00	-
		17	--	-	--	Remote Login	2022-07-08 10:47:01.00:00	-
		18	--	-	--	Remote Login	2022-07-08 11:01:28.00:00	-

**Figure 6-4 Search Event**

Enter the search conditions, including the event type, the employee ID, the name, the card No., the start time, and the end time, and click **Search**.

The results will be displayed on the right panel.

## 6.6 Device Management

You can manage the linked device on the page.

Click **Device** to enter the settings page.

**Figure 6-5 Device Management**

### Add Device

- Click **Add** to add the indoor station, sub door station or distributor. Enter the parameters and click **OK** to add.
- Click **Import**. Enter the information of the device in the template to import devices in batch.

### Export

Click **Export** to export the information to the PC.

### Delete

Select the device and click **Delete** to remove the selected device from the list.

### Synchronization Settings

Click **Synchronization Settings** and enable **Synchronize**. If enabled, the current device's settings will be synchronized to other devices.

### Upgrade

#### Timing Upgrade

You can choose to **Enable Upgrading Device Automatically** or set upgrade time so that the device will upgrade within the time. Click **Save**.

#### Upload Upgrade Package

You can import upgrading package from local and select device type. Click **OK** to upgrade.

#### Upgrade Now

Check the device you would like to upgrade and click **OK** to upgrade.

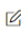

#### Upgrade Status

You can view the upgrade status of linked devices.

### Refresh

Click **Refresh** to get the device information.

### Optional: Set Device Information.

- Click  to edit device information.
- Click  to delete device information from the list.
- Select **Status** and **Device Type** to search devices.

## 6.7 Configuration

### 6.7.1 View Device Information via PC Web

View the device name, device No., language, model, serial No., version, number of channels, IO input, IO output, lock, alarm input, alarm output, and device capacity, etc.

Click **System and Maintenance** → **System Configuration** → **System** → **System Settings** → **Basic Information** to enter the configuration page.

You can view the device name, device No., language, model, serial No., version, number of channels, IO input, IO output, lock, alarm input, alarm output, and device capacity, etc.

Click **Upgrade** in the Firmware Version, you can go to the upgrade page to upgrade the device.

## 6.7.2 Set Time

Set the device's time zone, synchronization mode, server address, NTP port, and interval.

Click **System and Maintenance** → **System Configuration** → **System** → **System Settings** → **Time Settings** .

Device Time 2023-05-05 19:46:20

Time Zone (GMT+00:00) Dublin, Edinburgh, London

Time Synchronization mode  Manual

Set Time 2023-05-05 19:46:16 Sync With Com...

DST

DST

Start Time April First Sunday 02:00

End Time October Last Sunday 02:00

DST Bias  30minute(s)  60minute(s)  90minute(s)  120minute(s)

Save

**Figure 6-6 Time Settings**

Click **Save** to save the settings after the configuration.

### Time Zone

Select the device located time zone from the drop-down list.

### Time Sync.

#### NTP

You should set the NTP server's IP address, port No., and interval.

#### Manual

By default, the device time should be synchronized manually. You can set the device time manually or check **Sync. with Computer Time** to synchronize the device time with the computer's time.

#### Server Address Type/Server Address/NTP Port/Interval

You can set the server address type, server address, NTP port, and interval.

## 6.7.3 Set DST


### Steps

1. Click **System Configuration** → **System** → **System Settings** → **Time Settings** .
2. Slide to enable **DST**.

3. Set the DST start time, end time and bias time.
4. Click **Save** to save the settings.

### 6.7.4 Change Administrator's Password

#### Steps

1. Click **System and Maintenance** → **System Configuration** → **System** → **User Management** → **User Management** .
2. Click  .
3. Enter the old password and create a new password.
4. Confirm the new password.
5. Click **Save**.



#### Note

- The password should be 8 to 16 characters.
  - The password should contain at least 2 of the following types: digits, lowercase letters, uppercase letters and special characters.
  - The username cannot be the same as the password. Password cannot be inverted write of user name.
  - The password strength of the device can be automatically checked. In order to increase the security of your product, we highly recommend you change the password of your own choosing. And we recommend you change your password regularly, especially in the high security system, changing the password monthly or weekly can better protect your product. Proper configuration of all passwords and other security settings is the responsibility of the service provider and/or end-user.
  - Proper configuration of all passwords and other security settings is the responsibility of the service provider and/or end-user.
- 

### 6.7.5 Online Users

The information of users logging into the device is shown.

Go to **System and Maintenance** → **System Configuration** → **System** → **User Management** → **Online Users** to view the list of online users.

### 6.7.6 Set Secure Door Control Unit Parameters via PC Web

You can set secure door control unit parameters.

#### Steps

1. Click **System and Maintenance** → **System Configuration** → **Access Configuration** → **Secure Door Control Unit** .
2. View secure door control unit status.

### 3. You can enable **Auto Binding**.

---

#### **Note**

If the function is enabled, the connected secure door control unit will be automatically bound to the door station and cannot be used for other door stations.

---

### 6.7.7 Set I/O Parameters

You can set I/O Parameters on PC Web.

#### **Steps**

1. Click **System and Maintenance** → **System Configuration** → **Access Configuration** → **I/O Settings** .
2. Select Input 2 as **Disable** or **Door Status**. Select Input 3 and Input 4 as **Disable** or **Exit Button**.

---

#### **Note**

The Input 1 is **Door Status** by default.

---

3. Select Output 2 as **Disable**, **Mechanical Doorbell** or **Electric Lock**.
- 

#### **Note**

The Output 1 is **Electric Lock** by default.

---

### 6.7.8 Elevator Control

#### **Steps**

1. Click **System and Maintenance** → **System Configuration** → **Access Configuration** → **Elevator Control Parameters** .

Elevator No.

Elevator Control

Main Elevator Controller Model

Interface Type  Network Interface

\*Main Elevator Controller Address

Port

\*User Name

\*Password

Negative Floor Capacity

**Figure 6-7 Elevator Control**

2. Select **Elevator No.**
3. Slide to enable **Elevator Control**.
4. Set the elevator parameters.

#### **Elevator No.**

Select an elevator No.

#### **Interface Type**

The interface type is **Network Interface** by default. You need to enter the elevator controller's IP address, port No., user name, and password for communication.

#### **Negative Floor Capacity**

Set the negative floor number.



#### **Note**

- Up to 4 elevator controllers can be connected to 1 device.
  - Up to 10 negative floors can be added.
  - Make sure the interface types of elevator controllers, which are connected to the same device, are consistent.
-

### 6.7.9 View Device Arming/Disarming Information

View device arming type and arming IP address.

Click **System Configuration** → **System** → **User Management** → **Arming/Disarming Information** .

You can view the device arming/disarming information. Click **Refresh** to refresh the page.

### 6.7.10 Network Settings

#### SIP Setting

##### Steps

1. Click **Network** → **Network Settings** → **SIP** to enter the settings page.
2. Check **Enable VOIP Gateway**.
3. Configure the SIP parameters.
4. Click **Save** to enable the settings.



##### Note

- The main door station first calls the private SIP room number. If the room number does not exist, it will transfer the VOIP(SIP) number, which can be filled in at most 4, and then forward to 4 VOIP accounts in turn.
  - The default transfer interval is 65s. You can adjust it at page **Time Parameters**.
  - For outer door station, we have to input 11 digit room No.
  - For sub door station, only 4 digit room No.
- 

#### Set Basic Network Parameters

Click **System and Maintenance** → **System Configuration** → **Network** → **Network Settings** → **TCP/IP** .

TCP/IP

dhcp

\* IPv4 Address

\* IPv4 Subnet Mask

\* IPv4 Default Gateway

IPv6 Mode  Manual  dhcp  Route Advertisement

[View Route Advertisement](#)

IPv6 Address

IPv6 Subnet Prefix Length

IPv6 Default Gateway

Mac Address

MTU

\* Alarm Center IP

\* Alarm Host Port

DNS Server

Preferred DNS Server

Alternate DNS Server

**Figure 6-8 TCP/IP Settings**

Set the parameters and click **Save** to save the settings.

### DHCP

If disable the function, you should set the IPv4 address, IPv4 subnet mask, IPv4 default gateway, preferred DNS server and the Alternate DNS server.

If you check the function, the system will allocate the IPv4 address, IPv4 subnet mask, the IPv4 default gateway, preferred DNS server and the Alternate DNS server automatically.

### DNS Server

Set the preferred DNS server and the Alternate DNS server according to your actual need.

### IPv6

Three IPv6 modes are available.

#### Route Advertisement

The IPv6 address is generated by combining the route advertisement and the device Mac address.

---

 **Note**

Route advertisement mode requires the support from the router that the device is connected to.

---

### DHCP

The IPv6 address is assigned by the server, router, or gateway.

### Manual

Enter **IPv6 Address**, **IPv6 Prefix Length**, and **IPv6 Default Gateway**. Consult the network administrator for required information.

## Set Port Parameters

Set the HTTP, HTTPS, RTSP and Server port parameters.

Click **System Configuration** → **Network** → **Network Service** → **HTTP(S)** .

### HTTP

It refers to the port through which the browser accesses the device. For example, when the HTTP Port is modified to 81, you need to enter ***http://192.0.0.65:81*** in the browser for login.

### HTTPS

Set the HTTPS for accessing the browser. Certificate is required when accessing.

Click **System Configuration** → **Network** → **Network Service** → **RTSP** .

### RTSP

It refers to the port of real-time streaming protocol.

Click **System Configuration** → **Network** → **Device Access** → **SDK Server** .

### SDK Server

It refers to the port through which the client adds the device.

## Platform Access

Platform access provides you an option to manage the devices via platform.

### Steps

1. Click **System Configuration** → **Network** → **Device Access** → **Hik-Connect** to enter the settings page.



### Note

Hik-Connect is an application for mobile devices. With the App, you can view live image of the device, receive alarm notification and so on.

2. Check **Enable** to enable the function.
3. **Optional**: Check the checkbox of **Custom**, and you can set the server address by yourself.
4. Enter the server IP address, and verification code.



### Note

6 to 12 letters (a to z, A to Z) or numbers (0 to 9), case sensitive. You are recommended to use a combination of no less than 8 letters or numbers.

5. Enter the verification code.
6. Bind an account.

Binding via Code: Click **View** to view device QR code. Use the App and scan the QR code to bind the account.



### Note

Only the device enable the Hik-Connect function, can you view the QR code.  
Scan the QR code before it is invalid.

7. Click **Save** to enable the settings.

## FTP Settings

You can configure FTP (File Transfer Protocol) parameters.

### Steps

1. Click **Network** → **Network Service** → **FTP** to enter the settings page.

---

HTTP(S)    RTSP    **FTP**    WebSocket(s)

---

Enable FTP

Server Type

\*Server IP Address

\*Port

Anonymous

\*User Name

\*Password

\*Password Confirm

Directory Structure

Parent Directory

Child Directory

\*Delimiter

Named Item

Named Item

Named Element

**Figure 6-9 FTP Settings**

2. Enable **FTP**.
3. Select **Server Type**.
4. Enter **Server IP Address** and **Port**.
5. Configure the FTP Settings, and the user name and password are required for the server login.

---

 **Note**

If you enable **Anonymous**, you will not need to set user name and password.

6. Set the **Directory Structure**, **Parent Directory** and **Child Directory**.
7. Set naming rules.
8. Click **Save** to enable the settings.

### Set VoIP

When the device is deployed on the LAN, penetration service can be enabled to achieve remote device management.

#### Steps

1. Click **System Configuration** → **Network** → **Device Access** → **VoIP** .
2. Slide to **Enable VoIP Gateway**.
3. Enter **Server IP Address** and **Server Port**.
4. Enter **Register User Name** and **Registration Password**.
5. Set **Expiry Time**. The range is 1 to 99 min.
6. Slide to **Enable P2P** according to your actual need.
7. Click **Save**.
8. You can view **Online Status**. Click **Refresh** to view the latest status.

### Set WebSocket(s) via PC Web

View WebSocket and WebSockets port.

Go to **System and Maintenance** → **System Configuration** → **Network** → **Network Service** → **WebSocket(s)** .

View WebSocket and WebSockets port.

### 6.7.11 Set Video and Audio Parameters

Set the image quality and resolution.

#### Set Video Parameters

Click **System and Maintenance** → **System Configuration** → **Video/Audio** → **Video** .

Stream Type  Main Stream  Sub-stream

Video Type  Video Stream  Video&Audio

Resolution

Bit Rate Type  Variable  Constant

Video Quality

Frame Rate

\* Max. Bitrate  Kbps

Video Encoding

\* I Frame Interval

**Figure 6-10 Video Settings Page**

Set the stream type, the video type, the resolution, the Bit Rate type, the video quality, the frame rate, the Max. bitrate, the video encoding, and I Frame Interval.

Click **Save** to save the settings.

---

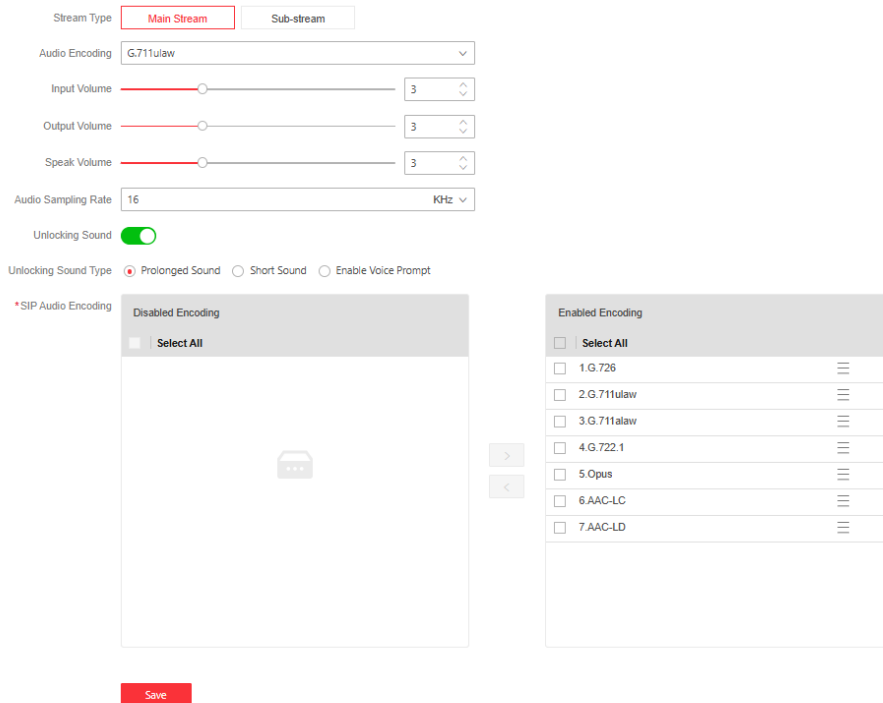
 **Note**

The functions vary according to different models. Refers to the actual device for details.

---

## Set Audio Parameters

Click **System and Maintenance** → **System Configuration** → **Video/Audio** → **Audio** .



**Figure 6-11 Audio Settings Page**

Set the stream type, audio encoding, input volume, output volume, speak volume and audio sampling rate.

Slide to enable **Unlocking Sound** according to your actual need.

### **Note**

You can choose the unlocking sound type as **Prolonged Sound**, **Short Sound** or **Enable Voice Prompt**.

Check then click < or > to enable or disable **SIP Audio Encoding**.

### **Note**

You can drag icon  to adjust the order of the encoding.

Click **Save** to save the settings.

## 6.7.12 Adjust Display Settings

You can adjust image parameters, video parameters, supplement parameters, backlight, beauty etc..

### Steps

1. To adjust display settings. Click **System and Maintenance** → **System Configuration** → **Image** → **Display Settings** .
2. Configure the parameters to adjust the image.

### Video Adjustment

Set the video frame rate when performing live view remotely. After changing the video standard, you should reboot the device to take effect.

#### PAL

25 frames per second. Suitable for mainland China, Hong Kong (China), the Middle East countries, Europe countries, etc.

#### NTSC

30 frames per second. Suitable for the USA, Canada, Japan, Taiwan (China), Korea, the Philippines, etc.

### Image Adjustment

Drag the block or enter the value to adjust the live video's brightness, contrast, saturation, and sharpness.

### Backlight

- You can enable or disable the BLC function.  
If enabled, you can choose BLC as **Center**, **UP**, **Down**, **Left** or **Right**.
- You can enable or disable the WDR function.  
When there are both very bright and very dark areas simultaneously in the view, WDR balances the brightness level of the whole image and provide clear images with details.

### Day/Night Switch

You can choose Day/Night Switch as Auto, Schedule Switch, Night or Daytime mode.

When choose Day/Night Switch as Auto, you also need to select **Sensitivity** range from 1 to 7.

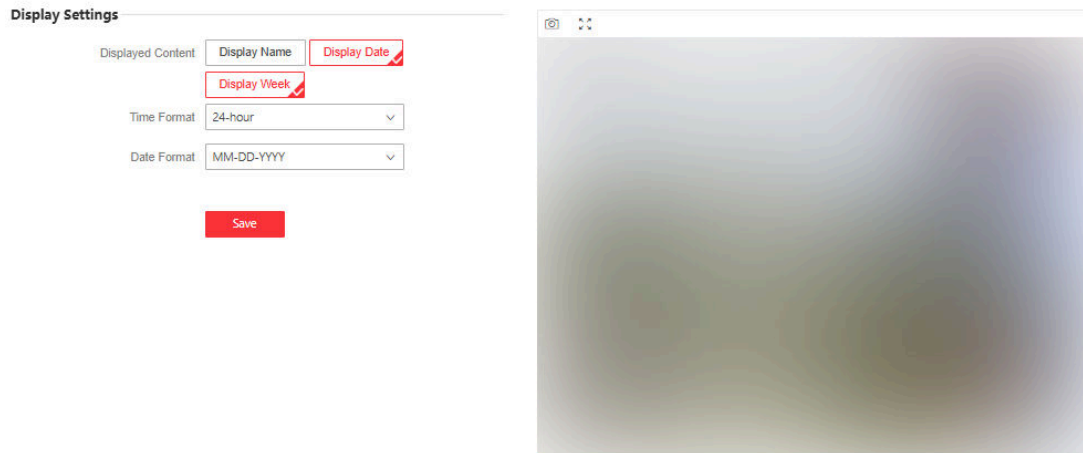
3. Click **Restore Default Settings** to restore the parameters to the default settings.

## OSD Configuration

### Steps

1. To adjust display settings. Click **System and Maintenance** → **System Configuration** → **Image** → **OSD Configuration** .

2. At **Displayed Content**, you can click to choose what to display.

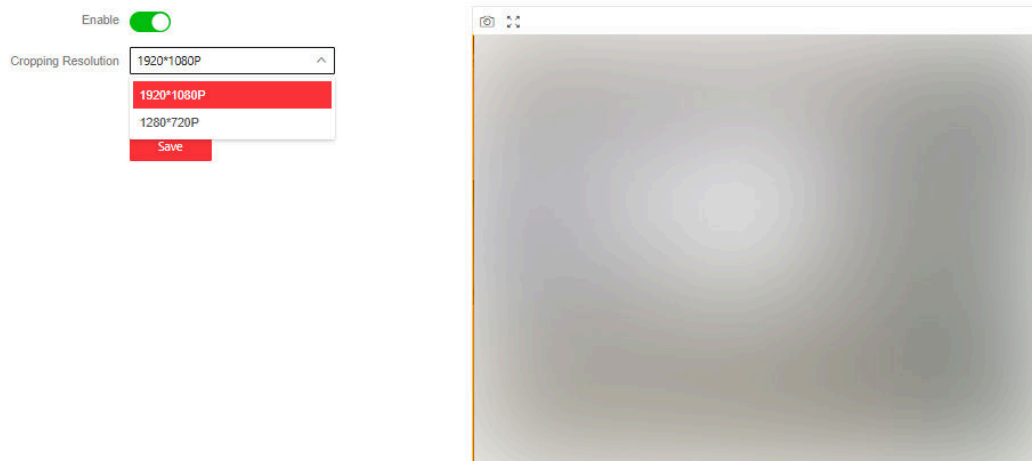


3. You can also choose **Time Format** and **Date Format** according to your actual needs.

## Target Cropping

### Steps

1. To adjust display settings. Click **System and Maintenance** → **System Configuration** → **Image** → **Target Cropping**.
2. Slide to enable this function.



3. Select a **Select a Cropping Resolution**.



### Note

**Cropping resolution** is the main stream resolution after target cropping.

---

4. Click **Save**.

## Note

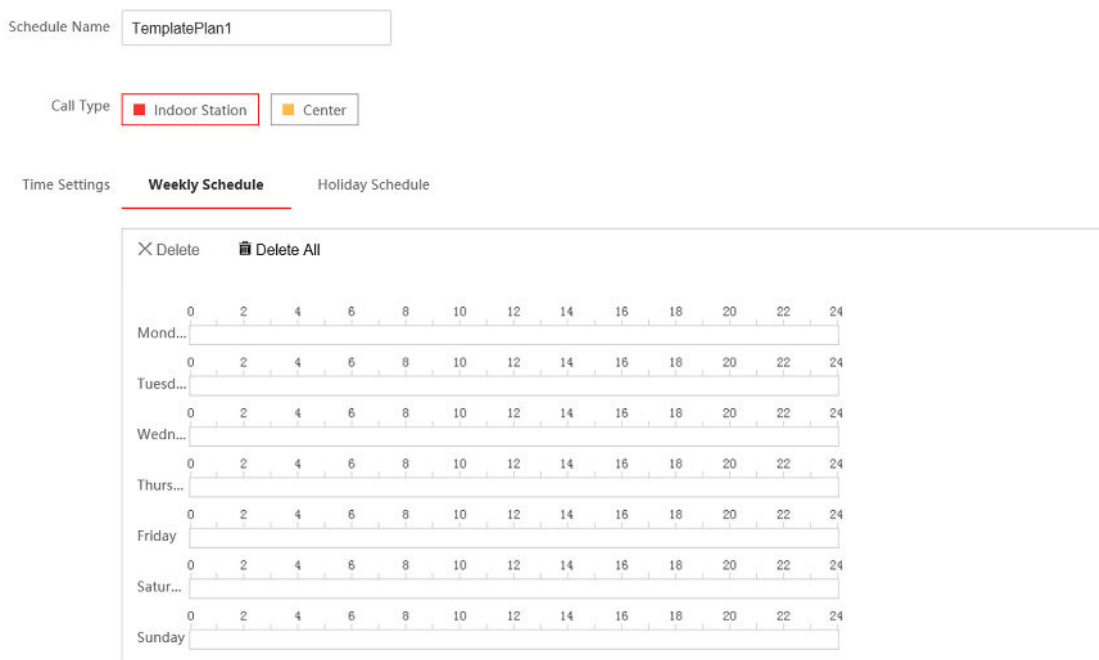
Some models support target cropping. Refer to the actual device for details.  
This function is mutually exclusive with some functions. After enabling target cropping, some functions will fail. Refer to the actual device for details.

### 6.7.13 Schedule Settings

You can create call schedule, or else the device will call indoor station all day by default.

#### Steps

1. Click **Schedule** → **Video Intercom** → **Call Schedule** .
2. Click the next row below **Enable Indoor Station All Day by Default**.
3. Enter **Schedule Name**.
4. Select **Call Type**.
5. Set **Weekly Schedule**.
  - 1) Click **Weekly Schedule**.



Schedule Name:

Call Type:  Indoor Station  Center

Time Settings: **Weekly Schedule** Holiday Schedule

Weekly Schedule Grid:

	0	2	4	6	8	10	12	14	16	18	20	22	24
Mond...													
Tuesd...													
Wedn...													
Thurs...													
Friday													
Satur...													
Sunday													

**Figure 6-12 Weekly Schedule**

- 2) Drag mouse to set the schedule according to the actual needs.
  - 3) **Optional:** Click the copy icon to copy the schedule to other days according to the actual needs.
  - 4) Click **Save**.
6. Set **Holiday Schedule**.
- 1) Click **Holiday Schedule**.

Schedule Name

Call Type  Indoor Station  Center

Time Settings Weekly Schedule **Holiday Schedule**

+ Add Clear

No.	Start Time	End Time	Time Period	Operation
-----	------------	----------	-------------	-----------

**Figure 6-13 Holiday Schedule**

- 2) Click **Add**.
- 3) Set **Start Time** and **End Time**.
- 4) Select **Call Type**.
- 5) Drag mouse to set the schedule according to the actual needs.
- 6) Click **OK**.
- 7) You can edit or delete the schedule according to the actual needs.
- 8) Click **Save**.

---

**Note**

The holiday schedule have higher priority than weekly schedule when you set the two schedule at the same time.

---

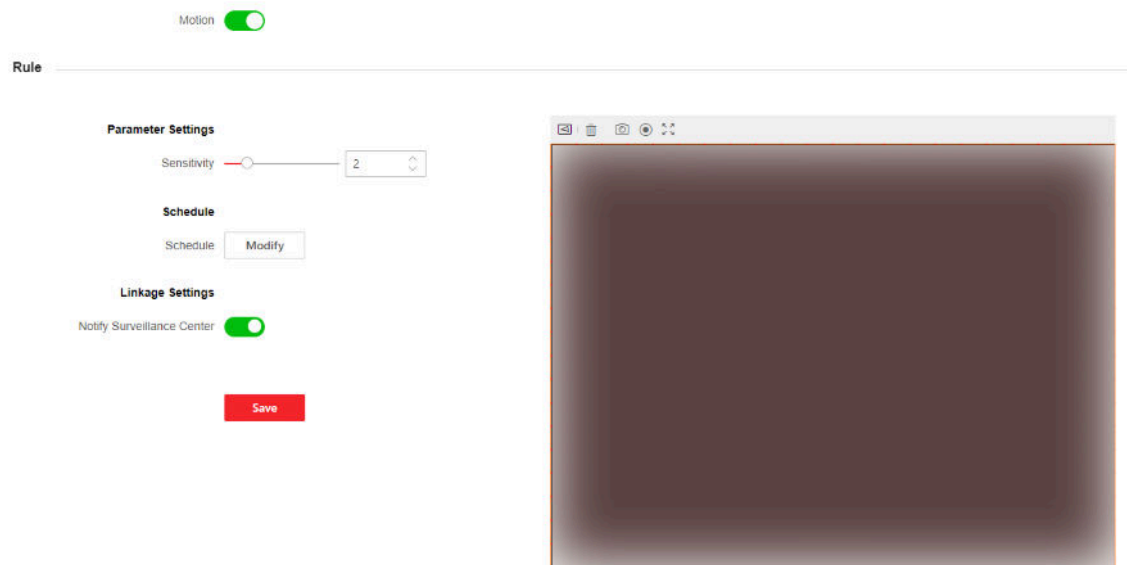
## 6.7.14 Event Settings

### Set Motion Detection

After enable the function of motion detection, people or stuff enter the configured area will trigger alarm.

#### Steps

1. Click **System and Maintenance** → **System Configuration** → **Event** → **Event Detection** → **Motion** .



**Figure 6-14 Motion Detection**

2. Enable **Motion**.
3. Drag the process bar to adjust the **Sensitivity** parameter.
4. Enable **Notify Surveillance Center** according to your actual needs. After enabled, the alarm information is uploaded to the surveillance center when an alarm event is detected.
5. Click **Save**.

---

 **Note**

The arming schedule is defaulted as all-day.

---

## Linkage Settings

### Steps

1. Click **Event** → **Event Detection** → **Linkage Settings** to enter the settings page.



**Figure 6-15 Linkage Settings**

2. Select event.
  - **Device Event**
    - Tampering Alarm
  - **Door Event**
    - Door Open Timed Out (Door Contact)
3. Enable **Notify Surveillance Center** according to your actual needs. After enabled, the alarm information is uploaded to the surveillance center when an alarm event is detected.
4. Click **Save** to enable the settings.

## 6.7.15 Access Control Settings

### Set Door Parameters

Click **Access Control** → **Door Parameters** .

Door No.

\*Door Name

Open Duration  s

Relay Reverse  Open  Disable

**Figure 6-16 Door Parameters Settings Page**

Click **Save** to save the settings after the configuration.

**Door No.**

Select the device corresponded door No.

## Door Name

You can create a name for the door.

## Open Duration

Set the door unlocking duration. If the door is not opened for the set time, the door will be locked.

## Relay Reverse

Set the door unlocking duration. If the door is not opened for the set time, the door will be locked.

## Privacy Settings

You should set the privacy parameters, including the picture uploading and storage.

Click **Access Control** → **Privacy Settings** to enter this page.

Event Storage Settings

Event Storage Type  Delete Old Events Periodically  
 Delete Old Events by Specified Time  
 Overwrite

Picture Uploading and Storage

Upload Picture When Auth.

If enabled, the captured picture when authentication will be uploaded to the platform automatically.

PIN Mode

PIN Mode  Platform-Applied Personal PIN  Device-Set Personal PIN

Save

**Figure 6-17 Privacy Settings**

### Upload Pic. When Auth. (Upload Captured Picture When Authenticating)

Upload the pictures captured when authenticating to the platform automatically.

### Platform-Applied Personal PIN

You can create the person PIN on the platform. You should apply the PIN to the device. You cannot create or edit the PIN on the device or PC Web.

### Device-Set Personal PIN

You can create or edit the PIN on the device or PC Web. You cannot set the PIN on the platform. Tap **Save** to complete the settings.

## Event Storage Settings

Select a method to delete the event. You can select from **Delete Old Events Periodically**, **Delete Old Events by Specified Time**, or **Overwriting**.

### Delete Old Events Periodically

Drag the block or enter number to set the period for event deleting. All events will be deleted according to the configured time duration.

### Delete Old Events by Specified Time

Set a time and all events will be deleted on the configured time.

### Overwriting

The earliest 5% events will be deleted when the system detects the stored events has been over 95% of the full space.

## Card Settings

Choose card types to enable.

Go to **Access Control** → **Access Control** → **Card Settings** .

Slide to enable card types and click **Save** to save the settings.

### Card Type

---

Enable NFC Card

Enable M1 Card

Enable DESFire Card

DESFire Card Read Content

Save

Figure 6-18 Card Type

Enable NFC Card

Enable the function and you can present the NFC card to authenticate. In order to prevent the mobile phone from getting the data of the access control, you can disable NFC card to increase the security level of the data.



### Note

Disable NFC card cannot completely avoid presenting NFC card.

---

### Enable M1 Card

Enable M1 card and authenticating by presenting M1 card is available.

### Enable DESFire Card

#### DESFire Card Read Content

After enabling, the device can read DESFire card.

## Smart

You can configure fingerprint security level on this page.

Click **Access Control** → **Smart** .

### Fingerprint Parameters

---

Fingerprint Security Level

4-1/10000False Acceptance Rate (FAR)	^
1-1/10False Acceptance Rate (FAR)	
2-1/100False Acceptance Rate (FAR)	
3-1/1000False Acceptance Rate (FAR)	
4-1/10000False Acceptance Rate (FAR)	
5-1/100000False Acceptance Rate (FAR)	

**Figure 6-19 Smart**

Select your preferred FAR from the dropdown list.The higher the security level, the lower the **false acceptance rate (FAR)**.

Click **Save** to save the settings after the configuration.

## Set Public Password

Set public password.

Click **Access Control** → **Password Settings** to enter the page.

Click **Add** to add public password.

Password Type

Public Password1

Password \*

Enter.

Password Confirm \*

Enter.

Remarks

Enable Electric Lock \*

Electric Lock1  Electric Lock2

**Save** Cancel

**Figure 6-20 Add Public Password**

Select password type.

Enter and confirm the password.

Enter remarks.

Select electric lock.

Click **Save** to save the settings.

## 6.7.16 Video Intercom Settings

### Device No. Settings

#### Steps

1. Click **Video Intercom** → **Device No.** to enter the page.

Device Type: Door Station

Floor No.: 1

\*Door Station No.: 0

More >

\*Community No.: 1

\*Building No.: 1

\*Unit No.: 1

Save

**Figure 6-21 Device No. Settings**

2. Select the device type from the drop-down list, and set the corresponding information including **Building No.**, **Floor No.**, **Door Station No.**, **Community No.** and **Unit No.**

---

 **Note**

- When you select **Outer Door Station** as **Device Type**, only **Community No.** and **Outer Door No.** can be set.

3. Click **Save** to enable the device number configuration.
- 

## Linked Network Settings

### Steps

1. Click **Intercom** → **Video Intercom Network** to enter the settings page.

Registration Password:

Main Station IP: 0.0.0.0

Private Server IP: 0.0.0.0

Enable Protocol 1.0:

Save

**Figure 6-22 Session Settings**





2. Set **Registration Password**.
3. Set **Main Station IP** and **Video Intercom Server IP**.

4. Enable Protocol 1.0.
5. Click **Save** to enable the settings.

## Time Duration Settings

Set the Max. call duration.

Go to **Video Intercom** → **Call Parameters** → **Call Settings** .

Max. Communication Time	<input type="text" value="90"/>	s  
Max. Message Duration	<input type="text" value="30"/>	s  

**Save**

**Figure 6-23 Call Settings**

Set the **Max. Communication Time** and **Max. Message Duration**. Click **Save**.

---



### Note

- The Max. communication time range is 90 s to 1800 s.
  - The Max. message duration range is 30 s to 60 s.
- 

## Ringbacktone Settings

### Steps

1. Click **Video Intercom** → **Call Parameters** → **Ringbacktone Settings** to enter the settings page.
  2. Click  to import new ringtone.
- 



### Note

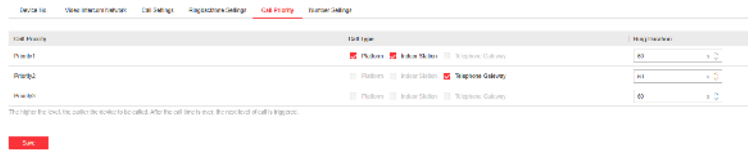
The supported audio file type for importing is .wav. The file should be less than 800 KB.

---

## Call Priority

### Steps

1. Click **Intercom** → **Call Priority** to enter the settings page.



**Figure 6-24 Call Priority**

2. Check the **Call Type** and set the **Ring Duration** of each 3 priorities.
3. Click **Save** to enable the settings.

---

### **Note**

The higher the level, the earlier the device to be called. After the call time is over, the next level of call is triggered.

---

## Press Button to Call

### Steps

1. Click **Video Intercom** → **Call Parameters** → **Press Button to Call** to enter the settings page.
2. Fill in the room No. of the indoor station in the blank of the Button Setting column.
3. Link Time Schedule: Select time schedule plan from the drop-down list. For more information about the time schedule plan,
4. Click **Save** to enable the settings.

## Number Settings

Link the room No. and SIP numbers.

Click **Video Intercom** → **Call Parameters** → **Number Settings** to enter the page.



<input type="checkbox"/>	No.	Room No.	SIP Number	Operation
--------------------------	-----	----------	------------	-----------

**Figure 6-25 Number Settings**

Click **+Add**, and set the **Room No.** and SIP numbers in the pop-up dialog box.  
Click **Save** to save the settings.

## 6.8 Maintenance and Security


### 6.8.1 Upgrade and Maintenance

Reboot device, restore device parameters, and upgrade device version.

#### Reboot Device

Click **System and Maintenance** → **Maintenance** → **Restart** .  
Click **Restart** to reboot the device.

#### Upgrade

Click **System and Maintenance** → **Maintenance** → **Upgrade** .  
Select an upgrade type from the drop-down list. Click  and select the upgrade file from your local PC. Click **Upgrade** to start upgrading.  
If the device has been connected to Hik-Connect and network, when there is a new installation package in Hik-Connect, you can click **Upgrade** after Online Update to upgrade the device system.



#### Note


Do not power off during the upgrading.

---

### Sub Device Upgrade

Click **System and Maintenance** → **Maintenance** → **Upgrade** .

Set Upgrade Settings as **RS-485 Card Reader**, and select a card reader.

Select an upgrade type from the drop-down list. Click  and select the upgrade file from your local PC. Click **Upgrade** to start upgrading.

### Restore Parameters

Click **System and Maintenance** → **Maintenance** → **Backup and Reset** .

#### Restore All

All parameters will be restored to the factory settings. You should activate the device before usage.

#### Restore

The device will restore to the default settings, except for the device IP address and the user information.

### Import and Export Parameters

Click **System and Maintenance** → **Maintenance** → **Backup and Reset** .

#### Export

Click **Export** to export the device parameters.



#### Note

You can import the exported device parameters to another device.

---

#### Import

Click  and select the file to import. Click **Import** to start import configuration file.

## 6.8.2 Device Debugging

You can set device debugging parameters.

### Steps

1. Click **System and Maintenance** → **Maintenance** → **Device Debugging** .
2. You can set the following parameters.

#### Enable SSH

To raise network security, disable SSH service. The configuration is only used to debug the device for the professionals.

#### Print Log

You can click **Export** to export log.

#### Capture Network Packet

You can set the **Capture Packet Duration**, **Capture Packet Size**, and click **Start** to capture.

### 6.8.3 View Log via PC Web

You can search and view the device logs.

Go to **System and Maintenance** → **Maintenance** → **Log** .

Set the major and minor type of the log type. Set the start time and end time for searching, and click **Search**.

The results will be displayed below, which including the No., time, the major type the minor type, the channel No., the local/remote user information, the remote host IP, etc.

### 6.8.4 Certificate Management

It helps to manage the server/client certificates and CA certificate.



#### Note

The function is only supported by certain device models.

---

### Create and Import Self-signed Certificate

#### Steps

1. Go to **System and Maintenance** → **Safe** → **Certificate Management** .
2. In the **Certificate Files** area, select a **Certificate Type** from the drop-down list.
3. Click **Create**.
4. Input certificate information.
5. Click **OK** to save and install the certificate.

The created certificate is displayed in the **Certificate Details** area.

The certificate will be saved automatically.

6. Download the certificate and save it to an asking file in the local computer.
7. Send the asking file to a certification authority for signature.
8. Import the signed certificate.
  - 1) Select a certificate type in the **Import Key** area, and select a certificate from the local, and click **Import**.
  - 2) Select a certificate type in the **Import Communication Certificate** area, and select a certificate from the local, and click **Import**.

### Import Other Authorized Certificate

If you already has an authorized certificate (not created by the device), you can import it to the device directly.

### Steps

1. Go to **System and Maintenance** → **Safe** → **Certificate Management** .
2. In the **Import Key** and **Import Communication Certificate** areas, select certificate type and upload certificate.
3. Click **Import**.

### Import CA Certificate

#### Before You Start

Prepare a CA certificate in advance.

### Steps

1. Go to **System and Maintenance** → **Safe** → **Certificate Management** .
2. Create an ID in the **Import CA Certificate** area.



#### Note

The input certificate ID cannot be the same as the existing ones.

---

3. Upload a certificate file from the local.
4. Click **Import**.

## Chapter 7 Local Operation

### 7.1 Call Resident

---

#### Note

- Make sure sub modules have connected with the main unit.
  - Make sure you have configured the room No. for the device.
- 

#### Call Resident via Main Unit or Nametag Module

Press the call button on the main unit or on the nametag module to call correspondent indoor stations.

#### Call Resident via Keypad Module


Enter the Room No. on the keypad module, and press # to start calling.

---

#### Note

- You can press \* via keypad module to hang up.
  - When the main unit is used as the outer door station, you can press
- 

#### Call Resident via Display Module

Press  on the display module to enter the contact list.

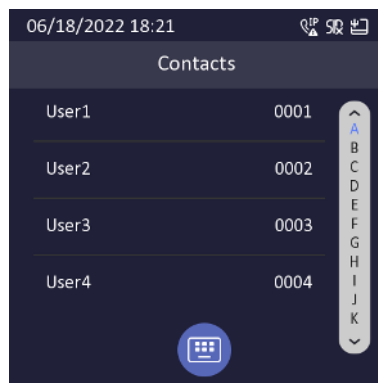
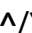


Figure 7-1 Contacts


Press or hold  to select a contact.  
Press **OK** and confirm to call.

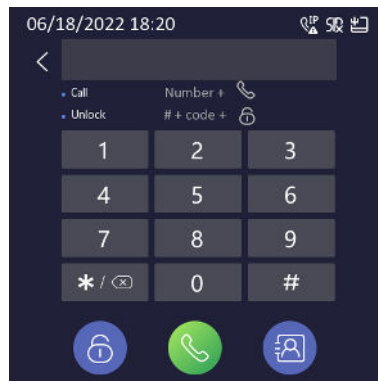
## Note

- Hold **^** or **v** to scroll the page up or down faster.
  - You can press **Back button** via display module to hang up.
- 


## Call Resident via Touch-Display Module

You can call corresponding resident in the two ways. They are:

- On the main page of the touch-display module, tap  and enter the No. to call.



**Figure 7-2 Call Residents**

- On the main page of the touch-display module, tap  to select a contact in the list to call.
- 

## Note

Two themes of the main page are supported. You can change it remotely via client software.

---

## 7.2 Unlock Door

### Unlock Door by Password

You can unlock the door by entering the password via the keypad module or touch-display module.

---

## Note

On the main page of touch-display module, tap to enter the call/unlock page to unlock the door.

---

Four formats of password are supported. They are:

- **【#】** + Public Password + **【#】**
- **【#】** + Password + **【#】**
- **【#】** + Duress Password + **【#】**
- **【#】** + Room No. + Password **【#】**

---

### Note

- Password contains 6 digits.
  - You're allowed to set 3 public passwords via iVMS-4200 client software.
  - The password varies according to different rooms.
- 

### Unlock Door by Card

---

#### Note

Make sure the card has been issued. You can issue the card via the door station, or via **iVMS-4200** client software.

---

Present the card on the card induction area via card reader module or touch-display module (with card reading function) to unlock the door.

---

#### Note

The main card does not support unlocking the door.

---



See Far, Go Further